

FP5 *Westmount*

PREFABRICATED WOOD-BURNING FIREPLACE

INSTALLATION AND OPERATION MANUAL

Keep this manual for future reference



Valcourt
The Fireplace of Your Dreams

250, de Copenhague, Saint-Augustin-de-Desmaures (Quebec), Canada G3A 2H3

After-sale service: 418-908-8002

E-mail: tech@sbi-international.com

www.valcourtinc.com

Standards: ULC-S610
UL 127
E.P.A. Standards Exempt



This manual is available for free download on the manufacturer's web site. It is a copyrighted document. Re-sale is strictly prohibited. The manufacturer may update this manual from time to time and cannot be responsible for problems, injuries, or damages arising out of the use of information contained in any manual obtained from unauthorized sources.

THANK YOU FOR CHOOSING THIS VALCOURT FIREPLACE

As one of North America's largest and most respected wood stove and fireplace manufacturers, VALCOURT takes pride in the quality and performance of all its products. We want to help you get maximum satisfaction as you use this product.

In the pages that follow you will find general advice on wood heating, detailed instructions for safe and effective installation, and guidance on how to get the best performance from this fireplace as you build and maintain fires, and maintain your wood heating system.

Congratulations on making a wise purchase.

Read this entire manual before you install and use your new fireplace. It is important that you follow the installations guidelines exactly. Failure to install this fireplace correctly could result in a house fire, bodily injury or even death.

You may need to obtain a building permit for the installation of this fireplace and the chimney that it is connected to. Consult your municipal building or fire department about installation requirements in your area. We recommend that you also inform your home insurance company to find out if the installation will affect your policy.

REGISTER YOUR WARRANTY ONLINE

To receive full warranty coverage, you will need to show evidence of the date you purchased your unit. Keep your sales invoice. We also recommend that you register your warranty online at

<http://www.valcourtinc.com/en/service-support/warranty-registration>

Registering your warranty online will help us track rapidly the information we need on your unit.

PLEASE NOTE THAT THE PICTURES SHOWN IN THIS MANUAL ARE GENERIC AND MAY NOT MATCH EXACTLY THE LOOK OF YOUR FIREPLACE.

CAUTION: DO NOT ATTEMPT TO MODIFY OR ALTER THE CONSTRUCTION OF THE FIREPLACE OR ITS COMPONENTS. ANY MODIFICATION OR ALTERATION OF CONSTRUCTION MAY VOID THE WARRANTY, LISTINGS AND APPROVALS OF THIS SYSTEM. IN THAT CASE, STOVE BUILDER INTERNATIONAL (SBI) WILL NOT BE RESPONSIBLE FOR DAMAGES. INSTALL THE FIREPLACE ONLY AS DESCRIBED IN THESE INSTRUCTIONS.

TABLE OF CONTENTS

INTRODUCTION	4
INSTALLATION	5
FIREPLACE INSTALLATION	7
CHIMNEY INSTALLATION	10
MASONRY CHIMNEY INSTALLATION	11
Installation with an 8 in. EXCEL chimney	11
Installation with EXCEL chimney	12
FIREPLACE FINISH	14
Fireplace Facing	15
USE AND SAFETY	19
CREOSOTE	20
CHIMNEY FIRE SAFETY PROCEDURES	20
MAINTENANCE	21
REPLACING GLASS	21
REPLACING REFRACTORY BRICK	22
TROUBLESHOOTING	23
EXPLODED VIEW FOR REPLACEMENT PARTS (MODERN STYLE DOORS - FP5SBO)	24
PARTS LIST (MODERN STYLE DOORS - FP5SBO)	25
EXPLODED VIEW FOR REPLACEMENT PARTS (MODERN STYLE FOLDING DOORS - FP5DBO)	26
PARTS LIST (MODERN STYLE FOLDING DOORS - FP5DBO)	27
VIEWS WITH MEASUREMENTS FP5DB0	28
VIEWS WITH MEASUREMENTS FP5SB0	30
VALCOURT LIMITED LIFETIME WARRANTY	32

INTRODUCTION

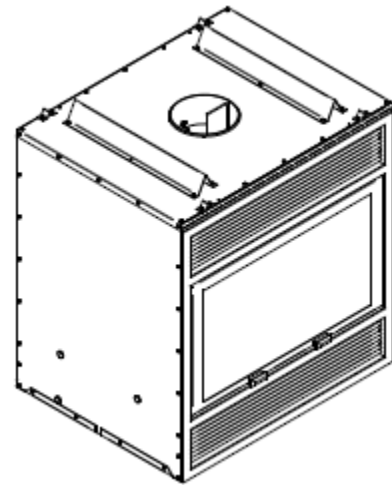
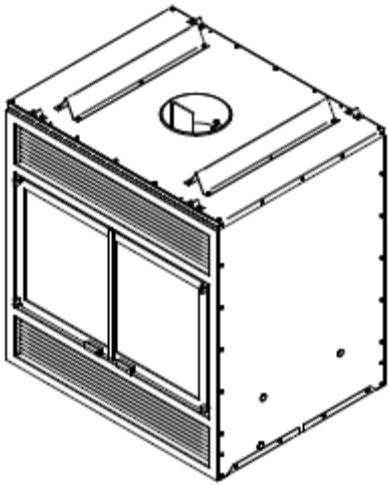
This manual contains all the information required for safe, efficient installation and use of your Valcourt fireplace. Read carefully all the instructions contained herein and keep this manual handy so you may refer to it whenever necessary.

Before starting to install the fireplace, consult local authorities to obtain a construction permit and learn about all applicable regulatory requirements.

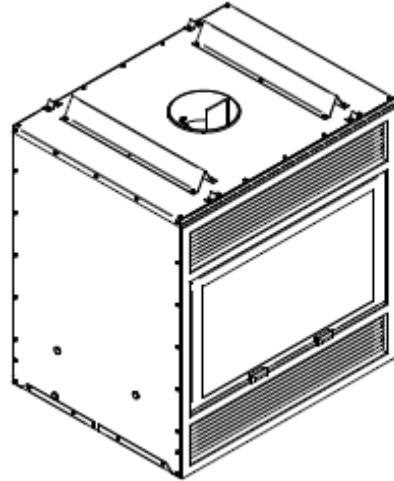
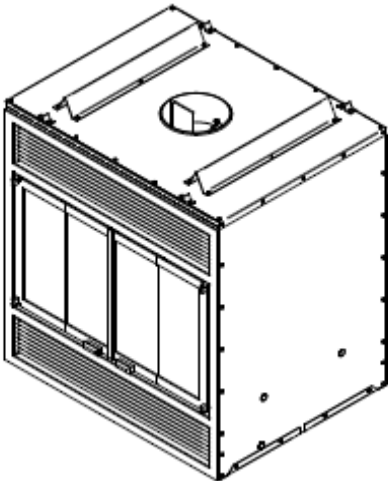
Do not install this fireplace in a mobile home.

Figure #1: Westmount Fireplace Overview

FP5SB0



FP5DB0



INSTALLATION

This fireplace is designed and approved for installation with the following brands of chimneys measuring 8” (203 mm) in diameter as well as a minimum of 15’ (4,6 m) and maximum of 45’ (13,5 m) in height.

CHIMNEY MANUFACTURER	BRAND	TYPE	INNER DIAMETER
Selkirk	Ultra-Temp (UT)	1" Solid Pack	8" (20 cm)
Selkirk	Super Pro (SPR)	1" Solid Pack	8" (20 cm)
Selkirk	Super Vent (JSC)	1" Solid Pack	8" (20 cm)
Selkirk	Hart & Cooley (TLC)	1" Solid Pack	8" (20 cm)
Selkirk	Sure-Temp (ST)	1" Solid Pack	8" (20 cm)
Selkirk	CF Sentinel (CF)	2" Solid Pack	8" (20 cm)
Selkirk	Super Pro 2100 (ALT)	2" Solid Pack	8" (20 cm)
Selkirk	Super Vent 2100 (JM)	2" Solid Pack	8" (20 cm)
Selkirk	UltimateOne	1" Solid Pack	8" (20 cm)
Security Chimney	ASHT+	1" Solid Pack	8" (20 cm)
Security Chimney	S-2100 +	2" Solid Pack	8" (20 cm)
M&G DuraVent	DuraTech	1" Solid Pack	8" (20 cm)
M&G DuraVent	DuraTech Canada (DTC)	1" Solid Pack	8" (20 cm)
M&G DuraVent	DuraPlus HTC	2" Solid Pack	8" (20 cm)
M&G DuraVent	DuraPlus	AC triple Wall	8" (20 cm)
ICC	Excel 2100	1" Solid Pack	8" (20 cm)
Metal Fab	Temp Guard	1" Solid Pack	8" (20 cm)
American Metal	HSS	AC triple Wall	8" (20 cm)
American Metal	HS	AC triple Wall	8" (20 cm)
Olympia Chimney	Ventis	1" Solid Pack	8" (20 cm)

We recommend that our woodburning hearth products be installed and serviced by professionals who are certified in the United States by NFI (National Fireplace Institute®) or in Canada by WETT (Wood Energy Technical Training) or in Quebec by APC (Association des Professionnels du Chauffage).

No other device must be added to the chimney connected to the fireplace.

Install the fireplace strictly according to the methods described herein and ensure proper clearance is provided between the walls. Use only the parts and chimneys specified in this manual. **Any non-compliance with these directions could create a hazardous situation, thus voiding the certification and the warranty.**

ATTENTION: Do not modify or adapt the fireplace’s construction or components. This would void the warranty. In this event, VALCOURT would not be held responsible for any damages which may occur.

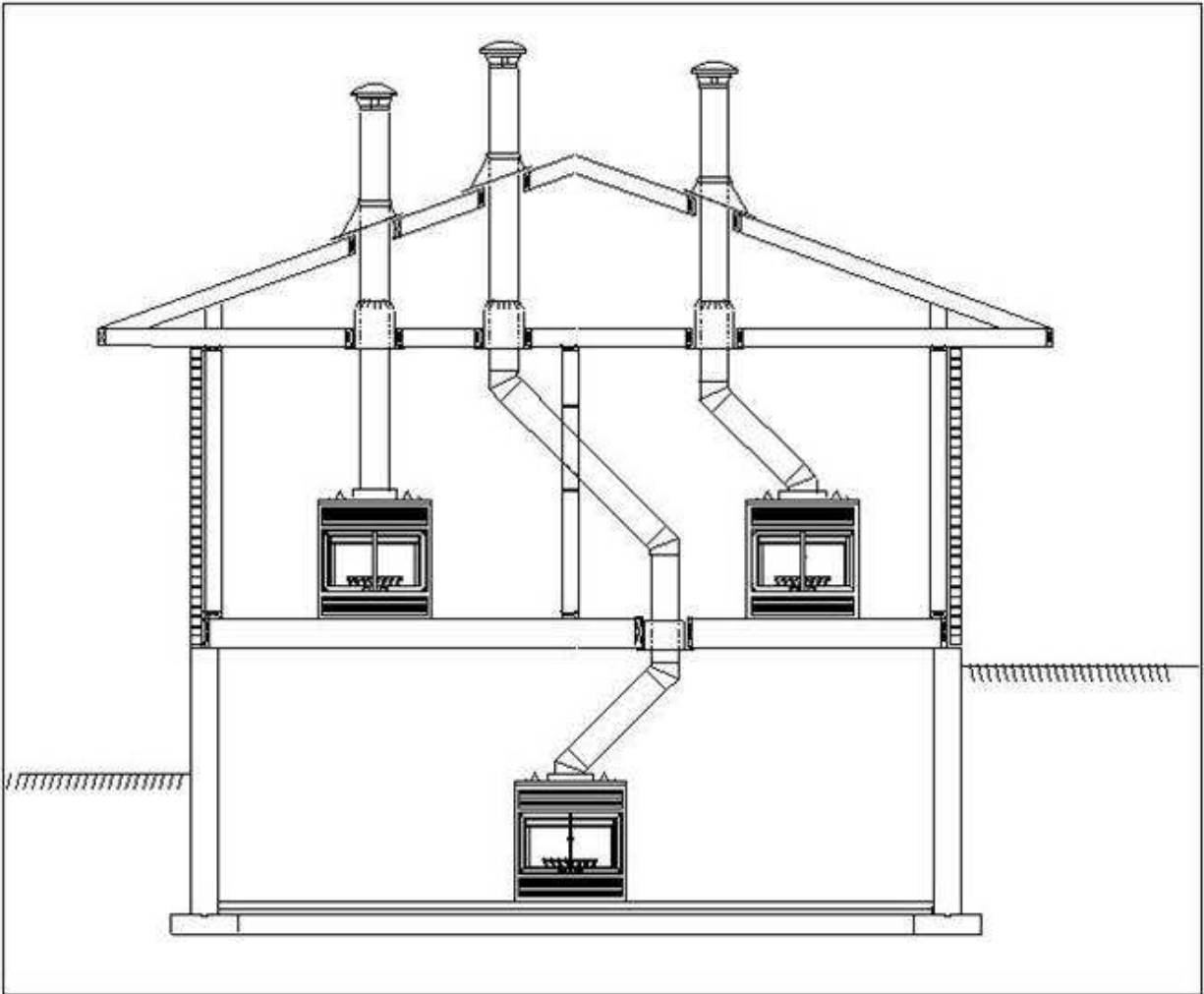
Choose the best location for your fireplace, based on the position of the doors and windows and room air flow. Provide for the positioning of the outside air inlet as well as the chimney. Remember to leave sufficient space for the hearth extension and mantel. If possible, install the fireplace where it will not be necessary to cut any floor or ceiling joists.

As for the chimney’s configuration, there are several possibilities. See Figure #2 to determine the appropriate configuration for your home. The straighter the chimney, the easier it will be to clean and maintain.

For optimal performance, install the chimney indoors if possible. In areas where temperatures are consistently below freezing (32°F/0°C), installing the chimney outdoors promotes functional problems such as insufficient

draught, excessive creosoting, and difficult fire ignition. In addition, outdoor chimneys are subject to decreases in pressure and smoke flow reversal. Fireplaces with outdoor chimneys installed on lower floors (basements) are particularly prone to smoke flow reversal.

Figure #2: Possible Chimney Configurations



The table below shows the minimum chimney height requirements, fireplace included, according to the number of elbows:

Chimney	Number of Elbows	Minimum Height
Straight installation	-----	15' (4.6 m)
1 - 15° offset	2 - 15° elbows	15' (4.6 m)
2 - 15° offsets	4 - 15° elbows	18' (5.5 m)
1 - 30° offset	2 - 30° elbows	15' (4.6 m)
2 - 30° offsets	4 - 30° elbows	20' (6.1 m)
* 1 - 45° offset	* 2 - 45° elbows	16' (4.9 m)
* 2 - 45° offsets	* 4 - 45° elbows	23' (7.0 m)

* Permitted only in Canada.

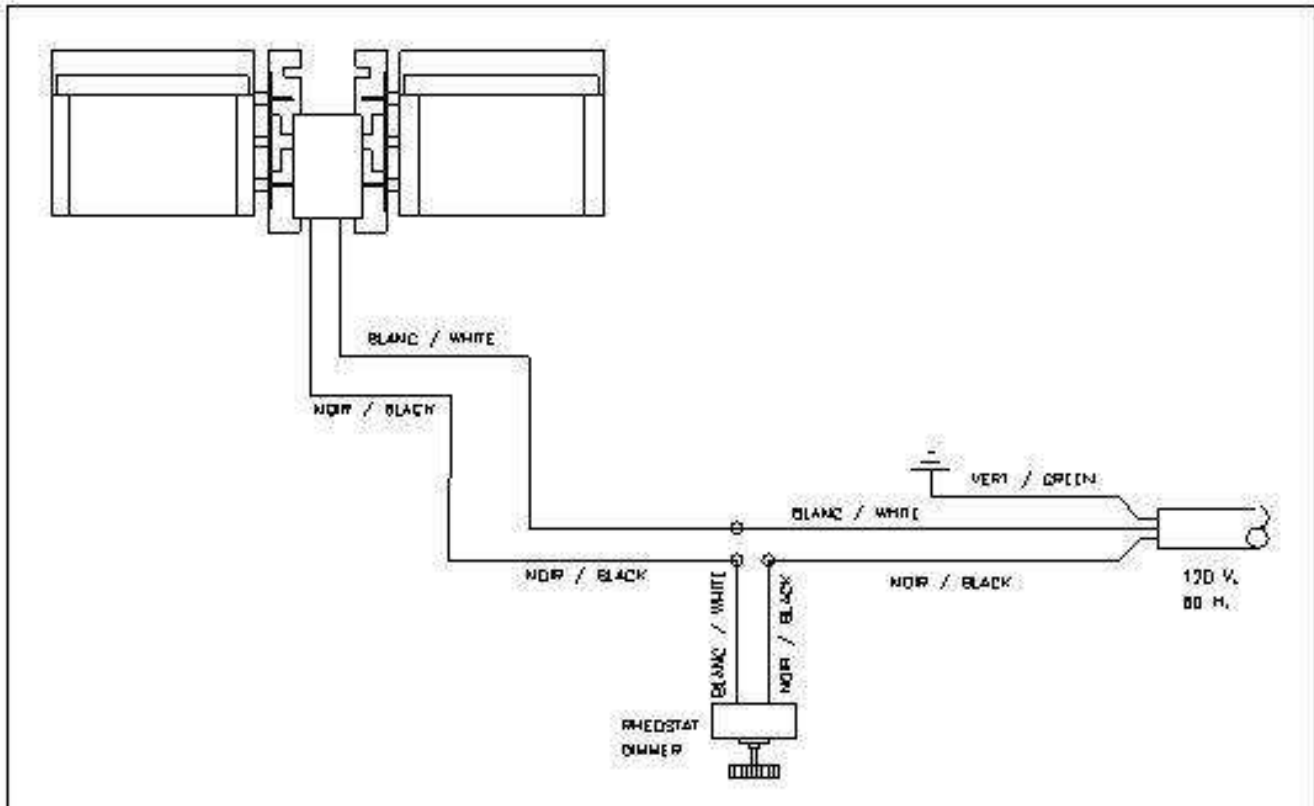
FIREPLACE INSTALLATION

1. Before beginning installation, remove the fireplace trim to protect it from damage. The fastening screws are located behind the upper and lower louvers. Make sure no masonry products or acids come into contact with the trim as these may discolor the finish which is not under warranty.
2. Remove all combustible floor coverings, e.g. carpeting, linoleum, etc., from the area where the fireplace is to be installed.
3. The fireplace can be installed directly on the floor or on a platform made of combustible materials, such as wood or plywood or any other hard, sturdy surface.
4. A 48" x 16" (1220 mm x 407 mm) minimum hearth extension made of non combustible material is required. The extension can be installed below the base of the fireplace or flush mounted. (Figures #4)
5. To prevent any burning embers falling between the fireplace and the hearth extension from coming into contact with the floor, insert a metal sheet under the front of the fireplace. This sheet must extend 4" (100 mm) on both sides of the fireplace and 2" (50 mm) in front. The non combustible hearth extension should rest on the 2" (50 mm) band of sheet metal in front. You can also prevent embers from falling in the joint between the fireplace and the hearth extension by filling it with mortar grout. (Figure #11)
6. To anchor the fireplace to the floor, unfold the lower metal attachments and screw them to the floor using 1" (25 mm) screws.
7. A wall at a right angle with the appliance's face can be lean against the fireplace's side. (Figure #11)
8. Place the appliance in the desired location. It must directly abut against the finished wall and not insulation or a vapor barrier. **Do not add any insulation.**
9. The standards in your area may require an outside air inlet. Even if such is not the case, it is beneficial to do so since this will improve the fireplace's performance. Install a flexible air duct that is 4" (102 mm) in diameter and a maximum length of 20' (6.1 m). If a longer duct is required, increase diameter to 6" but maximum length will then be 40' (12.2 m). The outside air intake must not come from a garage, carport, basement, attic or the chimney's enclosure.
10. Install the outside air inlet in a place where it is unlikely to become blocked by snow and is sheltered from high winds. Make sure it is far from the gas meter or any other device that may emit fumes or gases, such as automobile exhaust.
11. Once you have decided on the location of the outside air inlet, drill a 4¼" (108 mm) hole in the wall. Insert the inlet grill in the hole from the outside and screw it to the wall with four 1" (25 mm) screws.
12. From the inside, insert the insulated flexible duct and attach it to the inlet grill with aluminum duct tape or ¾" (19 mm) metal screws.
13. On the lower left side of the fireplace, remove the metal piece blocking the air intake. Cut the insulating wool, insert the adaptor included with the fireplace and screw it in place using two ¾" (19 mm) metal screws. Using an adjustable collar or aluminum duct tape, attach the flexible duct to the adaptor.
14. At the time of a 30° or 45° installation starting from the top of the fireplace going through a combustible wall, the chase must be parallel to the side of the fireplace. You may not enclosed the chase. (Figure #15)
15. Valcourt fireplaces can be equipped with a temperature control. The fan will come on as soon as the fireplace reaches its minimum start temperature. Have the wiring installed by a qualified electrician (Figure #3).

Electrical Installation Instructions

- 15.1 Install the connection box on the right behind the lower louver.
- 15.2 Install the fan on the pegs at the back of the fireplace behind the lower louver.
- 15.3 Insert a 110-volt wire into the box through the appropriate hole.
- 15.4 Connect the wiring in the box.
- 15.5 Test the wiring.
- 15.6 Close the connection box.

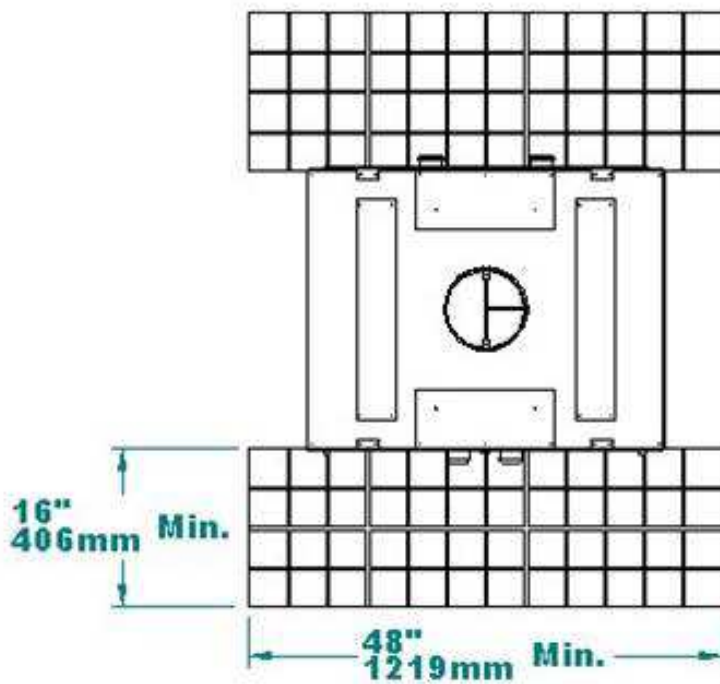
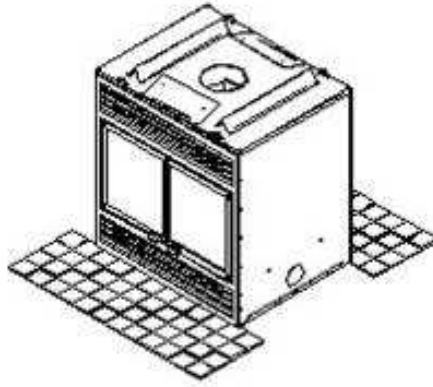
Figure #3: Circuit diagram



You can also install a decorative gas appliance in the hearth. To do this, install an automatic shut-off valve. Comply with ANSI Z21.60 (1991) standards governing “Decorative Gas Appliances” in vented fireplaces and ANSI Z233.1 with regards to the National Gas Code.

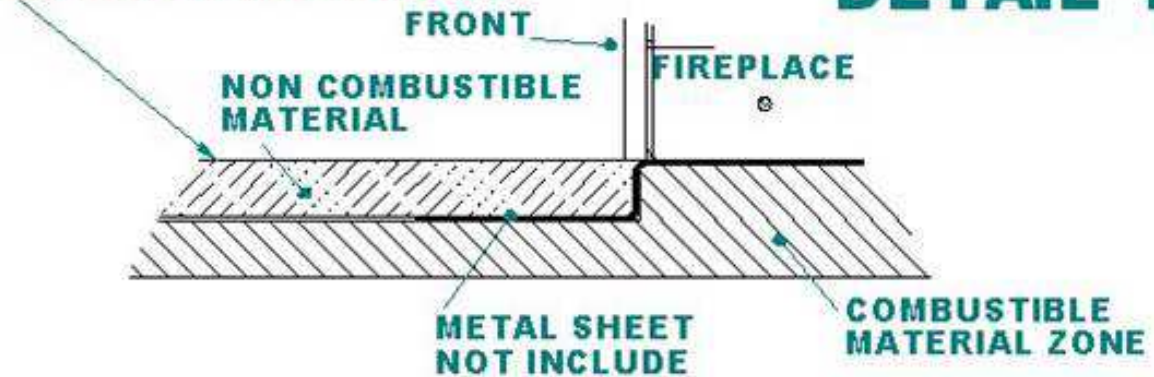
ATTENTION: ALWAYS OPEN THE CHIMNEY DAMPER TO ITS MAXIMUM POSITION WHEN USING A DECORATIVE GAS APPLIANCE. THIS FIREPLACE HAS NOT BEEN TESTED WITH AN UNVENTED GAS LOG APPLIANCE. TO REDUCE THE RISK OF FIRE OR INJURY, DO NOT INSTALL A GAS LOG APPLIANCE WITHOUT A VENT PIPE.

Figure #4: Hearth Extension Installation



TOP OF THE NON COMBUSTIBLE SURFACE MUST NOT EXCEED THE BOTTOM OF THE FIREPLACE

DÉTAIL B



CHIMNEY INSTALLATION

1. Assemble the first chimney section with the adaptor (provided by the chimney manufacturer) using three ¾" (19 mm) screws.
2. Screw this assembly to the fireplace using four ¾" (19 mm) screws, taking care not to block the rotation of the flue damper key.
3. Continue the installation as per the instructions in the chimney manufacturer's manual (figures 7, 8, 9).
4. Provide a 2" (51 mm) clearance between the chimney and any combustible material. To prevent overheating, never obstruct this clearance nor fill it with insulation or any combustible material. (Figure #12)
5. The chimney must rise at least 3' (914 mm) over its juncture with the roof and exceed by at least 2' (610 mm) any wall, roof or building located within a radius of 10' (3 m). Any length of chimney exceeding the roof by 5' (1.5 m) or more, must be braced using tie rods or guy wires. (Figure #10)
6. To limit creosoting, it is strongly recommended that an empty enclosure space be left between the chimney stack and the outer framing of the chimney. Make sure that at all points a minimum clearance of 2" (51 mm) separates the chimney and any combustible materials.
7. When installing an Excel chimney from ICC thru a wall, a floor or a combustible roof, all wood structure can not be exposed to the radiation from the chimney (part # EWRSI30 or EWRSI45). To correct this, all installations must have a ventilated flashing when the chimney is enclosed in an attic and also with radiation shield tube (Part # ERRS). (Figure #5)
8. When installing an security chimney S2100+, Do not use the 8XRSA+ insulated radiation shield, you must use 8XRSA non insulated radiation shield.
9. When installing an 1700°F chimney the sides walls of the chase must be straight to the roof. (Figure #12)

NOTE: Since May 1997, whatever the type of fireplace or building, safety standards require that the fireplace and the full length of the chimney up to the ceiling be enclosed. (Figure #12)

MASONRY CHIMNEY INSTALLATION

WARNING: Before starting installation, the masonry chimney must be inspected by a qualified sweep.

Installation with an 8 in. EXCEL chimney

Installing your fireplace with a masonry chimney still requires using EXCEL chimney from the top of the fireplace to the wall where it will connect to a listed liner that will run up inside the masonry chimney.

The stainless steel liner should be fitted inside the clay liner all the way to the top of the masonry chimney. It is not meant to replace the clay liner. You can use either the EXCEL liner or any other listed liner or flexible liner to ULC-S635, ULC-S640 or UL777.

Special care is to be taken to make sure that you have a good solid connection between the EXCEL chimney and the liner. A masonry adaptor (FO-FDM8) was designed specially for that purpose and is available from your RSF dealer. It will attach to the liner with 3 stainless rivets (provided) and to the EXCEL chimney with 3 screws (provided).

After mortaring in place, the connection between the EXCEL chimney and the liner should not be visible in order to isolate the heat released through the liner from the fireplace enclosure.

You must install at least one 18" length of EXCEL chimney after the EXCEL chimney elbow. The uppermost part of the excel chimney- where it enters the masonry chimney – must be a minimum of 12" from the ceiling.

NOTE: If the ceiling is high enough, you can install one or more EXCEL chimney lengths directly on the fireplace before the elbow.

To make the hole through the masonry chimney and make the connection to the fireplace, we recommend that you follow these steps:

1. Sight-in and mark the outline of where the EXCEL chimney will penetrate the masonry chimney.
2. Using a large (3/4"-2") masonry drill bit, drill a hole exactly in the center of the oval outline. With a masonry hammer and drill, slowly enlarge the hole to the size required. Remember to work from the center out. Be especially careful with the clay liner behind the brick because three sides of it must stay in place.
3. Bring the stainless steel liner down from the top of the chimney. If you are using a rigid liner you will need enough room to secure an elbow to it with at least two screws. If it difficult to install rigid stainless steel liner in the existing masonry chimney or for a masonry chimney with less than 10" X 10" inside, a listed stainless steel flexible liner can be used along with a flexible/ rigid adaptor (LM-7LAF) available from your ICC dealer.
4. Install the liner elbow and masonry adaptor on the lower end of the liner.
5. Move the fireplace forward enough to install the EXCEL chimney on the fireplace (elbow and length) then move the fireplace back into position as you connect the masonry adaptor to the EXCEL chimney.

NOTE: The stainless steel flexible liner must be install inside the clay liner. It is not meant to replace the clay liner.

Installation with EXCEL chimney

Figure #5: Excel chimney

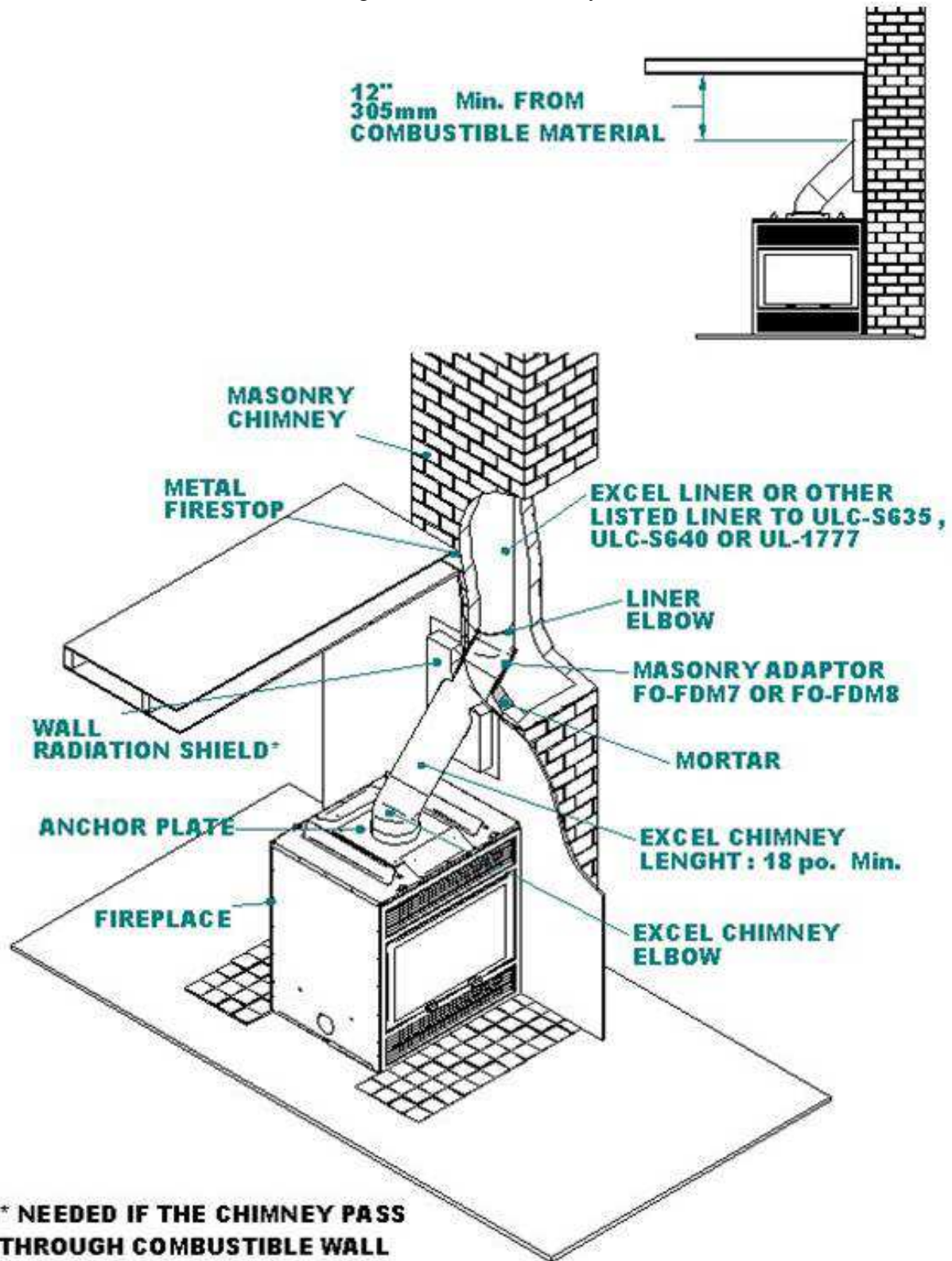


Figure #7: Straight Chimney Installation

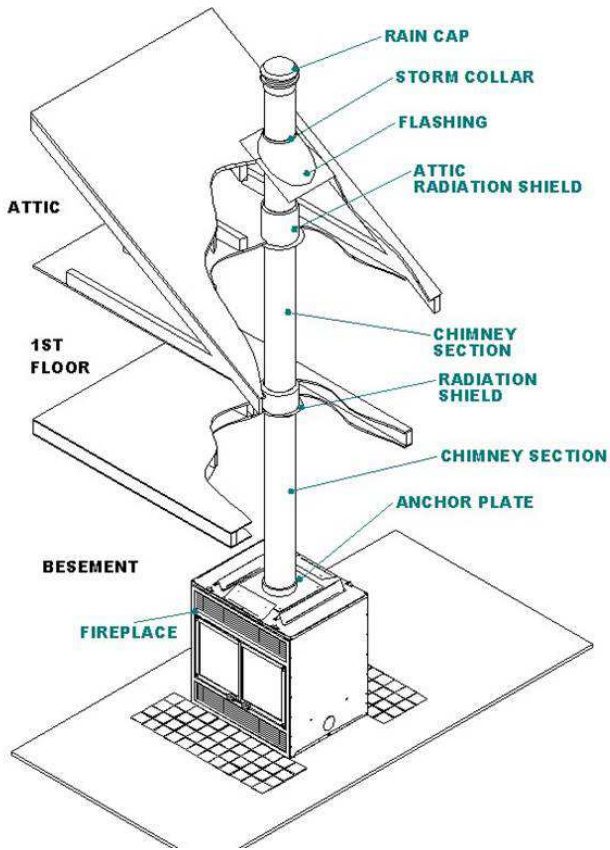


Figure #8: Chimney with elbows installation

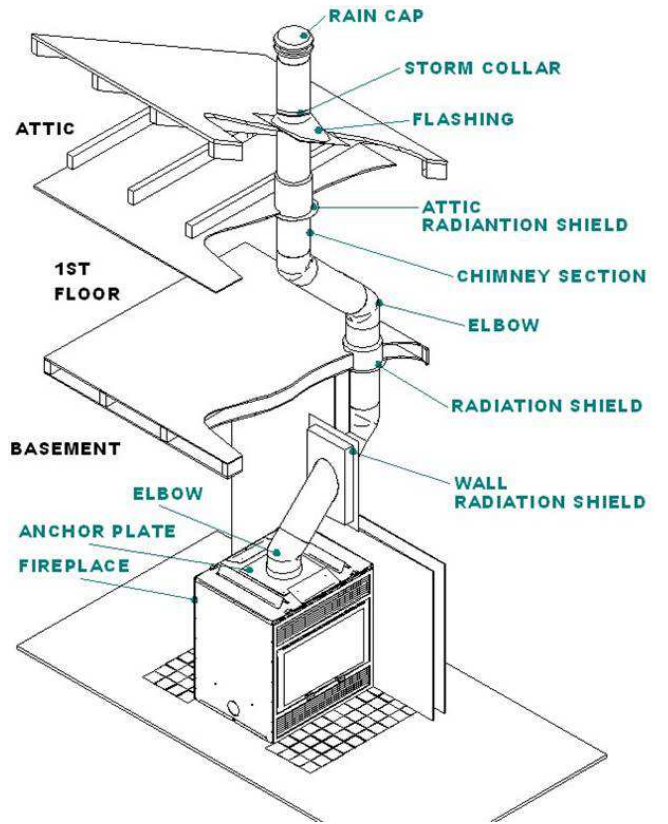


Figure #9: Exterior chimney installation

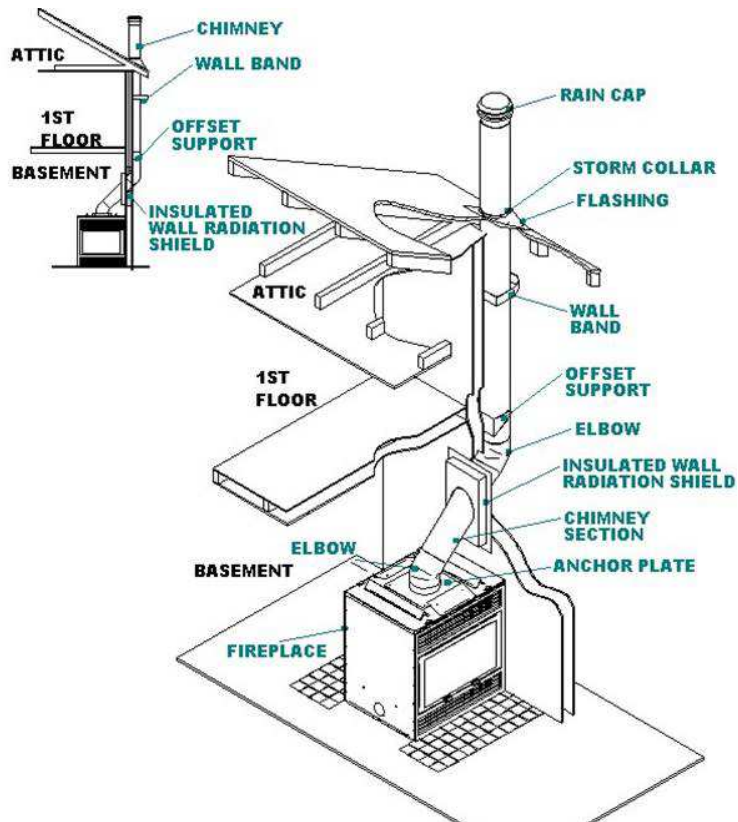
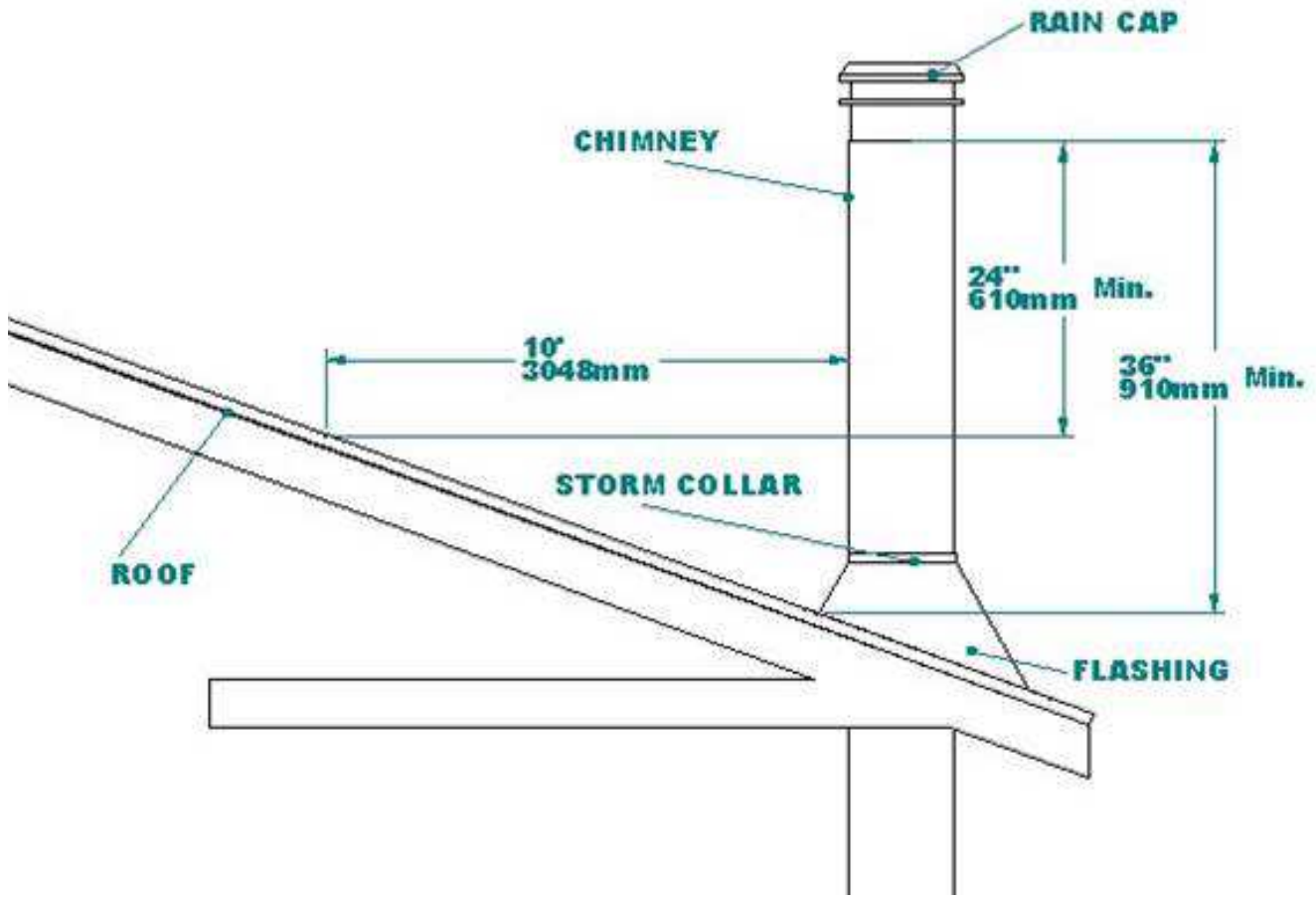


Figure #10: Minimum Chimney Height



FIREPLACE FINISH

1. Combustible materials can be used to finish the fireplace. The framing can be built directly on the sides of the appliance.
2. Side walls can exceed the appliance's. (Figure #11)
3. Combustible framing can cover the sides of the appliance but not its face. (Figure #14)
4. To enclose the top of the finish, it must reach at least 84" (2133 mm) in height from the base of the fireplace. **Do not insert insulation in the chimney enclosure.** (Figure #12)
5. It is possible to enclose the top and sides of the appliance but a minimum clearance of 2" (51 mm) must be provided around the chimney. (Figure #12) Never fill the enclosure space with insulation or any combustible material.
6. If the mantel is made of combustible materials, it must be installed at a height of at least 46" (1168 mm) from the base of the fireplace. (Figures #13)
7. The fireplace's facing must be made of non-combustible materials only.

Fireplace Facing

- 7.1 Remove the decorative trim.
- 7.2 Install the non-combustible facing material (marble, ceramic tile, Durock, brick, etc.).
- 7.3 Reinstall the decorative trim. (Figure #14)

NOTE: Make sure nothing obstructs or interferes with the front hot air outlets. The enclosure could overheat. Any accessible chimney must be fenced off or finished to prevent contact.

Figure #11: Fireplace Finishing

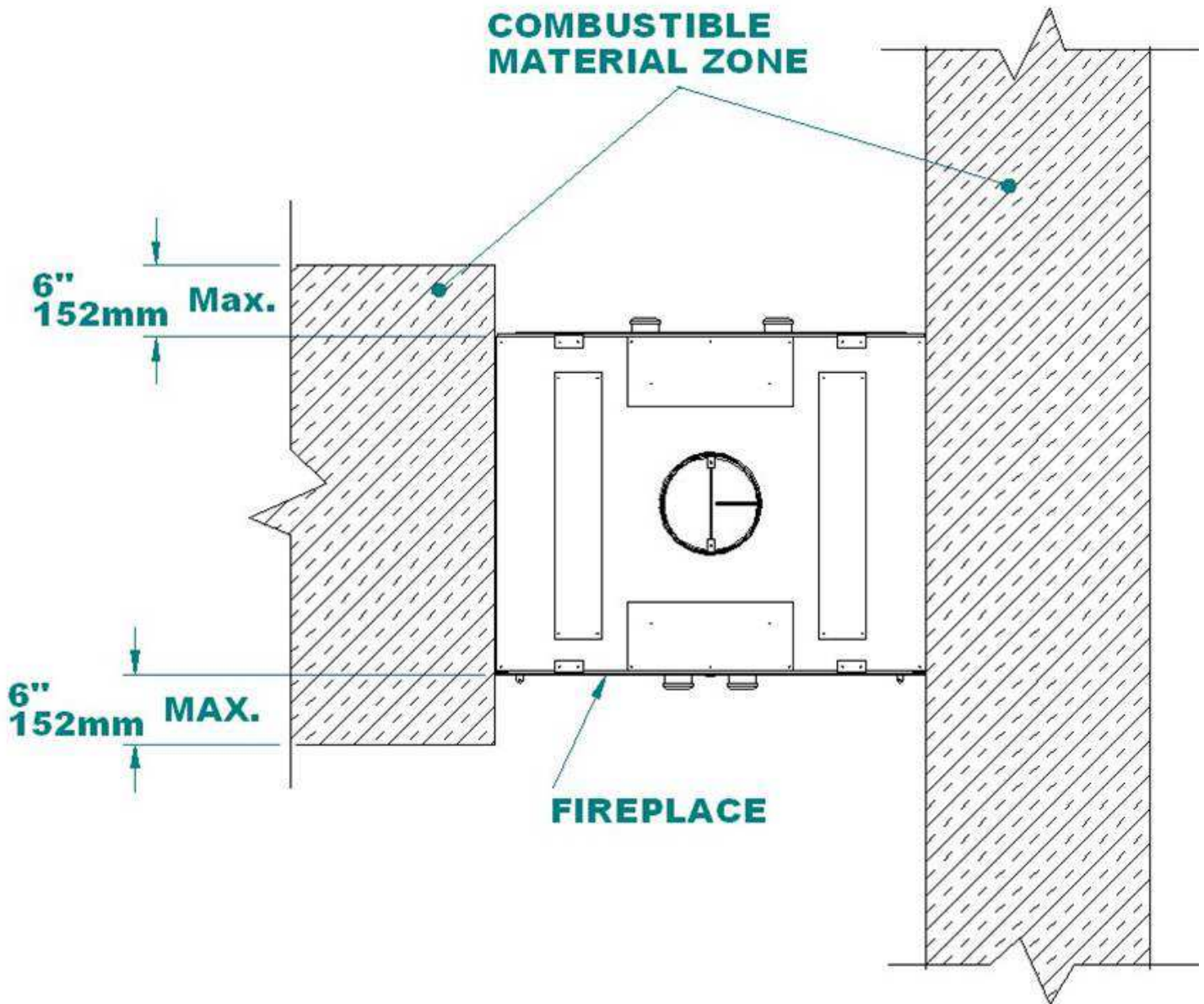


Figure #12: Chimney Enclosure

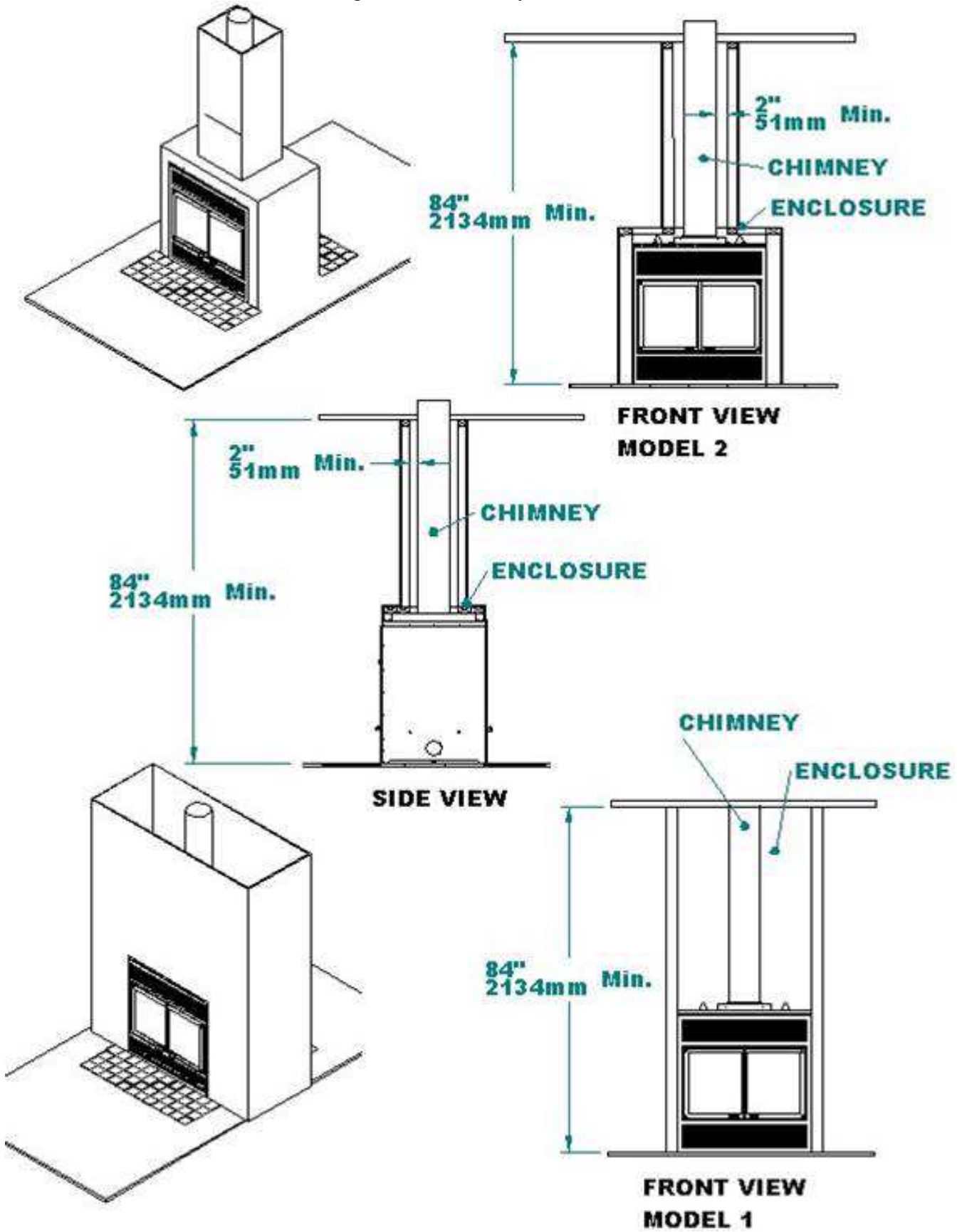
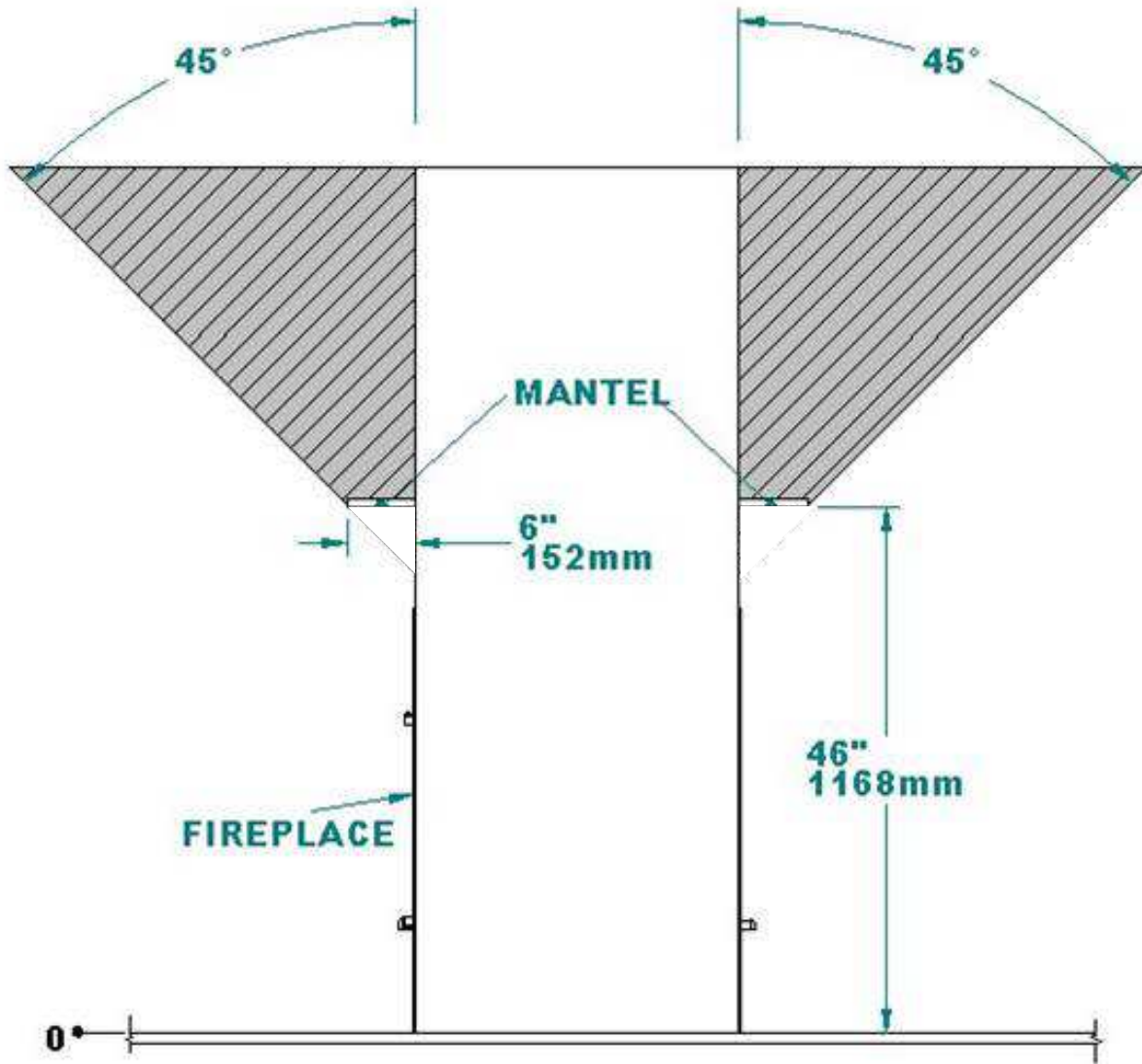


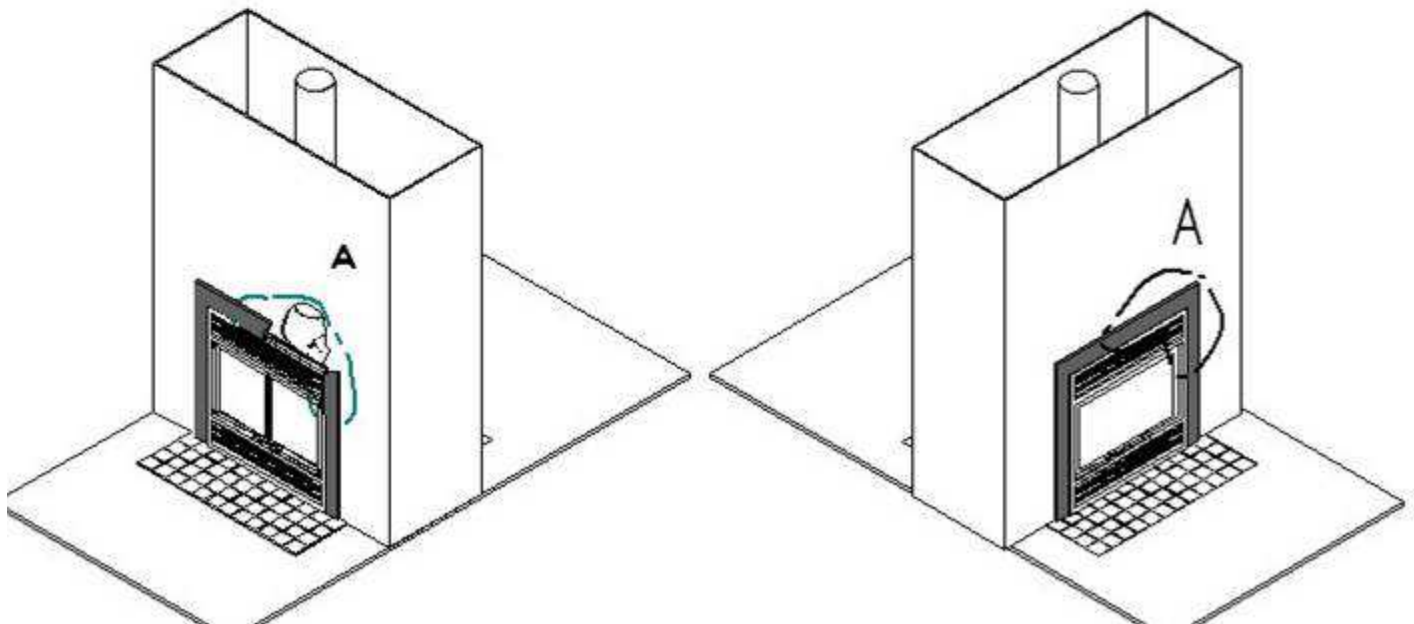
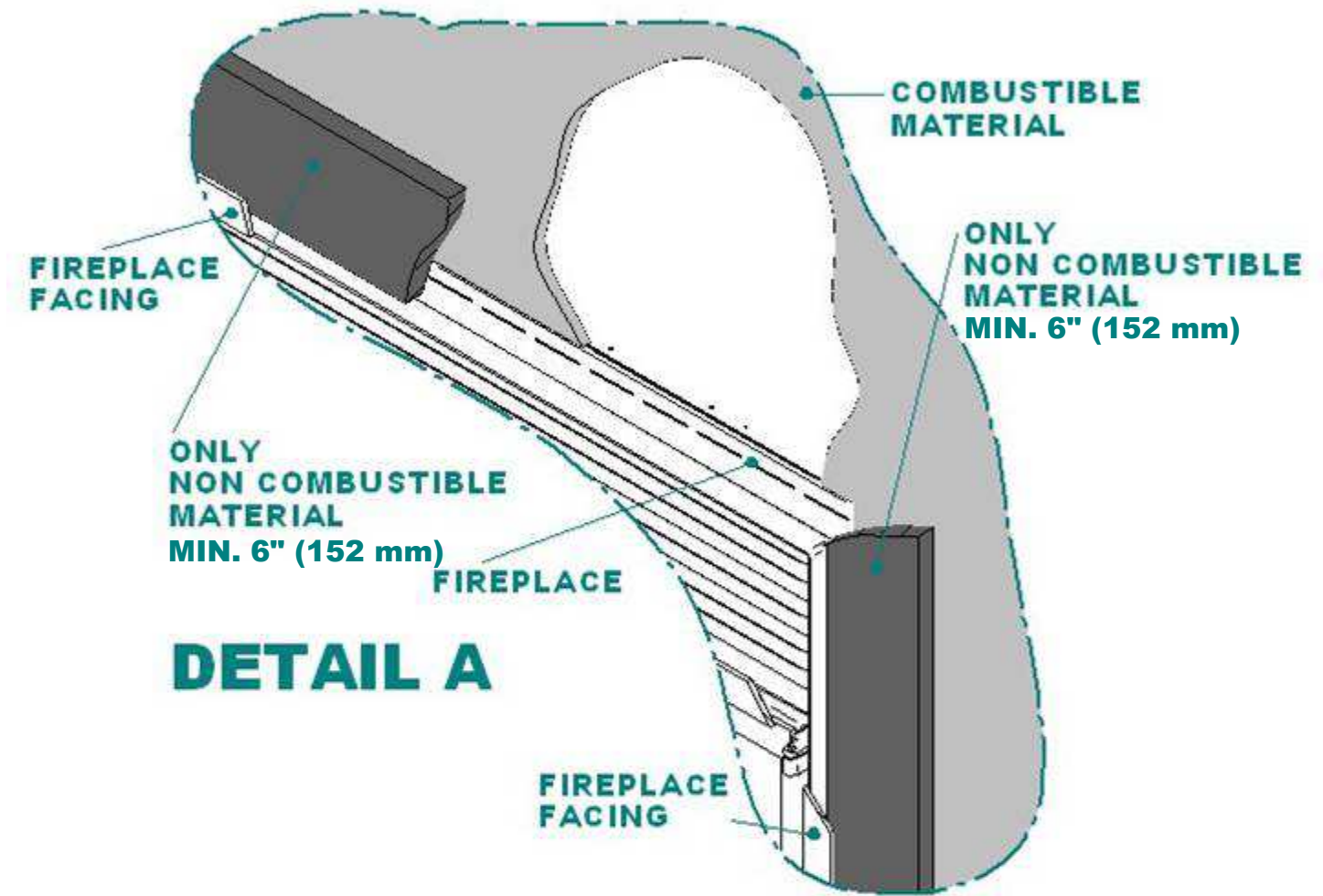
Figure #13: Mantel/shelf position

MANTEL/SHELF POSITION	
MANTEL/SHELF DEPTH	MIN. DISTANCE FROM THE FIREPLACE BOTTOM
6" (152 mm)	46" (1168 mm)
8" (203 mm)	48" (1219 mm)
10" (254 mm)	50" (1270 mm)
12" (305 mm)	52" (1321 mm)



DIMENSION START FROM THE BOTTOM OF THE FIREPLACE

Figure #14: Installation of Fireplace Facing



USE AND SAFETY

1. Teach children fireplace safety rules.
2. Do not use the fireplace under the following conditions:
 - 2.1 Whenever a firestone is missing or broken.
 - 2.2 Whenever the ceramic glass is cracked or broken.
3. Never use flammable liquids to light or revive a fire and keep such products away from any heat source. Before lighting a fire, make sure there are no flammable liquids, gases or fumes in the room.
4. Before starting each fire, open the flue damper using the key located in the middle behind the upper louver. When the fireplace is hot, do not touch the damper key with your bare hands.
5. Open the air intake lever located on the left behind the lower louver.
6. Prevent smoke flow reversal by preheating the chimney flue. Just hold a torch made of rolled up newspaper towards the smoke chamber for a few minutes.
7. Valcourt fireplaces are designed to burn reasonable quantities of wood. Avoid making overly intense fires that would damage the appliance.

DO NOT OVERHEAT

8. Use the grate made by VALCOURT. Burn only the quantity of combustible it can contain. Do not burn garbage, painted wood or wood that has been exposed to salt water.
9. Always have minimum of 1" accumulation of ashes at the bottom of the fireplace. The grate may deform if no ashes are left.
10. When using the fireplace for the first times, make small fires to give the firestone time to dry properly. The appearance of fine cracks in the firestone is normal and therefore not hazardous. It is not a matter for concern.
11. During the first fires, you may detect a certain odor and the coating and oil protecting certain appliance parts may smoke a little. If you open a window, these will quickly dispel.
12. It could also become necessary to open a window if the house is too airtight or if a fan is running.
13. Keep the firescreen closed at all times. If the fireplace is left unattended while the fire is still burning, carefully close the glass doors. Adjust the air intake lever to its maximum position.
14. Expansion and contraction noises during the heating and cooling cycle are normal. It is not a matter for concern.
15. Once the fire is out and the embers have cooled, close the flue and the air intake dampers until you prepare to light the next fire.

NOTE: Make sure furniture, draperies, and any extra logs are at least 48" (1220 mm) away from the fireplace.

CREOSOTE

When wood burns slowly, it produces tar and other organic vapors which combines with humidity to produce creosote. Creosote vapor condenses in the chimney left relatively cool by the slow fire and coats the inside of the flue with residue. When creosote ignites, it produces a red-hot, extremely dangerous fire.

It is therefore recommended to make small, brightly burning fires rather than lazy, smoldering fires. Not only will it keep your glass doors and flue cleaner but, what is most important, it will lessen the likelihood of chimney fires.

CHIMNEY FIRE SAFETY PROCEDURES

What to do if you suspect a chimney fire has started:

1. Close the fireplace doors.
2. Alert everyone in the house.
3. Call the Fire Department if necessary.
4. Put out the fire in the fireplace with a dry-chemical extinguisher, baking soda, sand or ashes. (**Never use salt because it is corrosive, or water because it could cause a steam explosion.**)
5. Make sure the sparks coming from the chimney do not set fire to the roof.
6. Before reusing the fireplace, have it inspected by the Fire Department.

MAINTENANCE

1. Clean color trim with soapy water and a soft cloth. Do not use any metal polish or abrasives.
2. Keep the glass relatively clean. Dirty windows will make the fireplace overheat. Wait until the glass is cool before attempting to clean it. Wash the glass with window or oven cleaner, dishwashing liquid or just soap and water. Spray the cleaner on a soft cloth and not on the glass, since overspray may discolor coating or metal plating (not covered by the warranty). **DO NOT** use steel wool, soap pads (S.O.S.) or any other abrasive product since these may scratch the glass.
3. To remove the ashes, lift the log support. Put the ashes in a metal container with an airtight lid. Place the container on a non-combustible surface away from any flammables until the ashes are cold.
4. Before each heating season, inspect the interior and exterior of the fireplace and chimney for any defects or deterioration.
5. To reduce the risk of chimney fires, keep it relatively clean and regularly check for creosote buildup. To open the rain cap, just unscrew it counter-clockwise. Any layer of creosote greater than 1/8" (3 mm) thick should be swept. Use a plastic brush to avoid scratching the flue.

REPLACING GLASS

Do not use the fireplace with a cracked glass.

Here are the steps to replace glass windows of an FP5 fireplace:

1. Cut the silicone joint holding the broken glass to the frame.
2. Remove all debris from the frame.
3. Use only 3/16" (5 mm) ceramic glass.
4. Slide the new window into the frame and fasten it in place with high temperature-resistant silicone.
5. Handle the glass with care to avoid injury.
6. Allow to dry for 24 hours.

NOTE: Never use substitute parts. Use only Valcourt brand parts.

Here are the steps to replace glass windows of an FP5 fireplace:

1. Remove glass frame from fireplaces.
2. Put the frame on a clean surface.
3. Drill out four rivets.
4. Remove glass attachments.
5. Remove all debris from the frame.
6. Use only 3/16" (5 mm) ceramic glass.
7. Insert the fireproof gasket between glass and frame.
8. Handle the glass with care to avoid injury.
9. Fix glass attach with 4 new rivets.

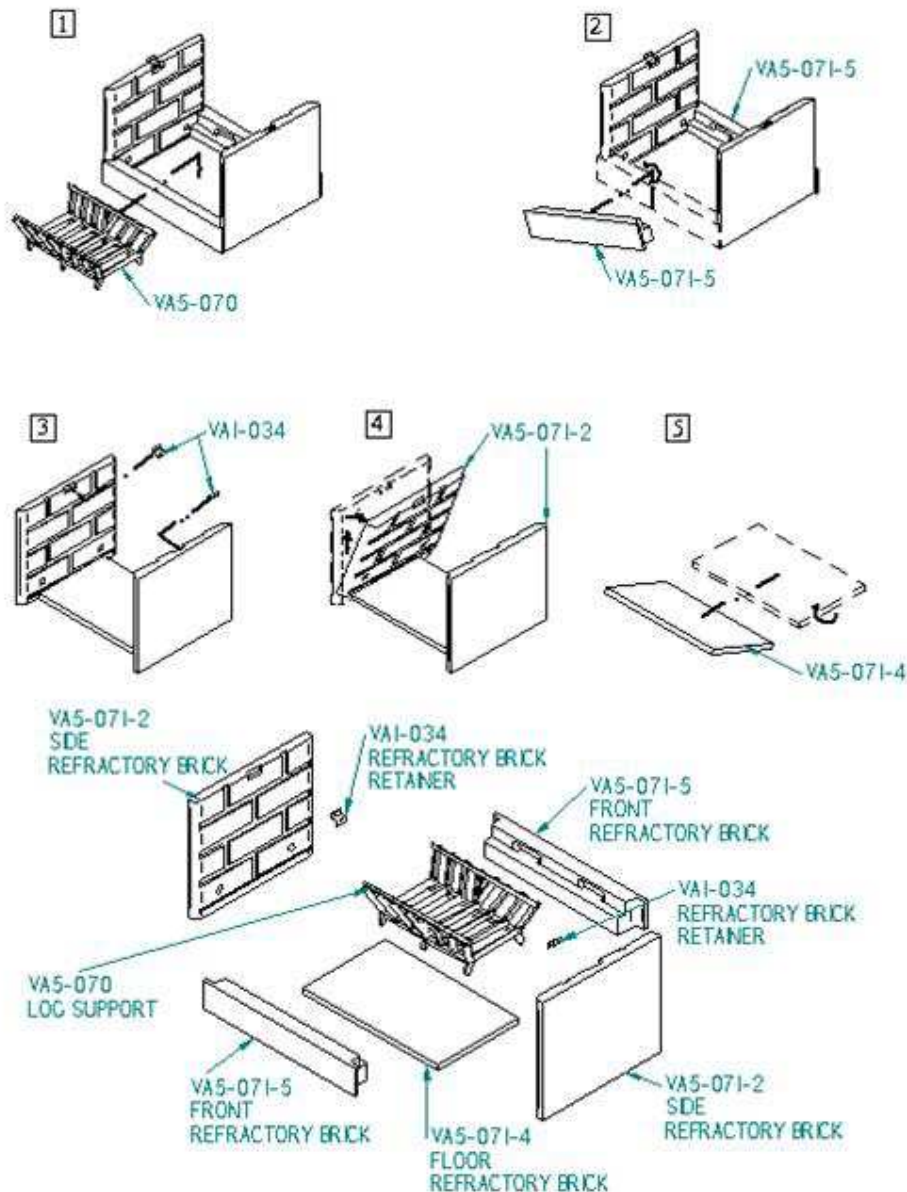
REPLACING REFRACTORY BRICK

Do not use the fireplace with a broken or missing refractory bricks.

Here are the steps to replace the refractory bricks of an FP5 fireplace:

1. Remove the log support.
2. Remove the front refractory brick (VA5-071-5).
3. Unscrew one of the wall refractory brick attachments (VA1-034).
4. Remove one of the wall refractory brick (VA5-071-2).
5. Remove the second wall refractory brick (VA5-071-2).
6. Remove the floor refractory brick (VA5-071-4).
7. To reinstall the replacement refractory bricks, just follow the steps in reverse.

Figure #15: Replacing Westmount refractory bricks



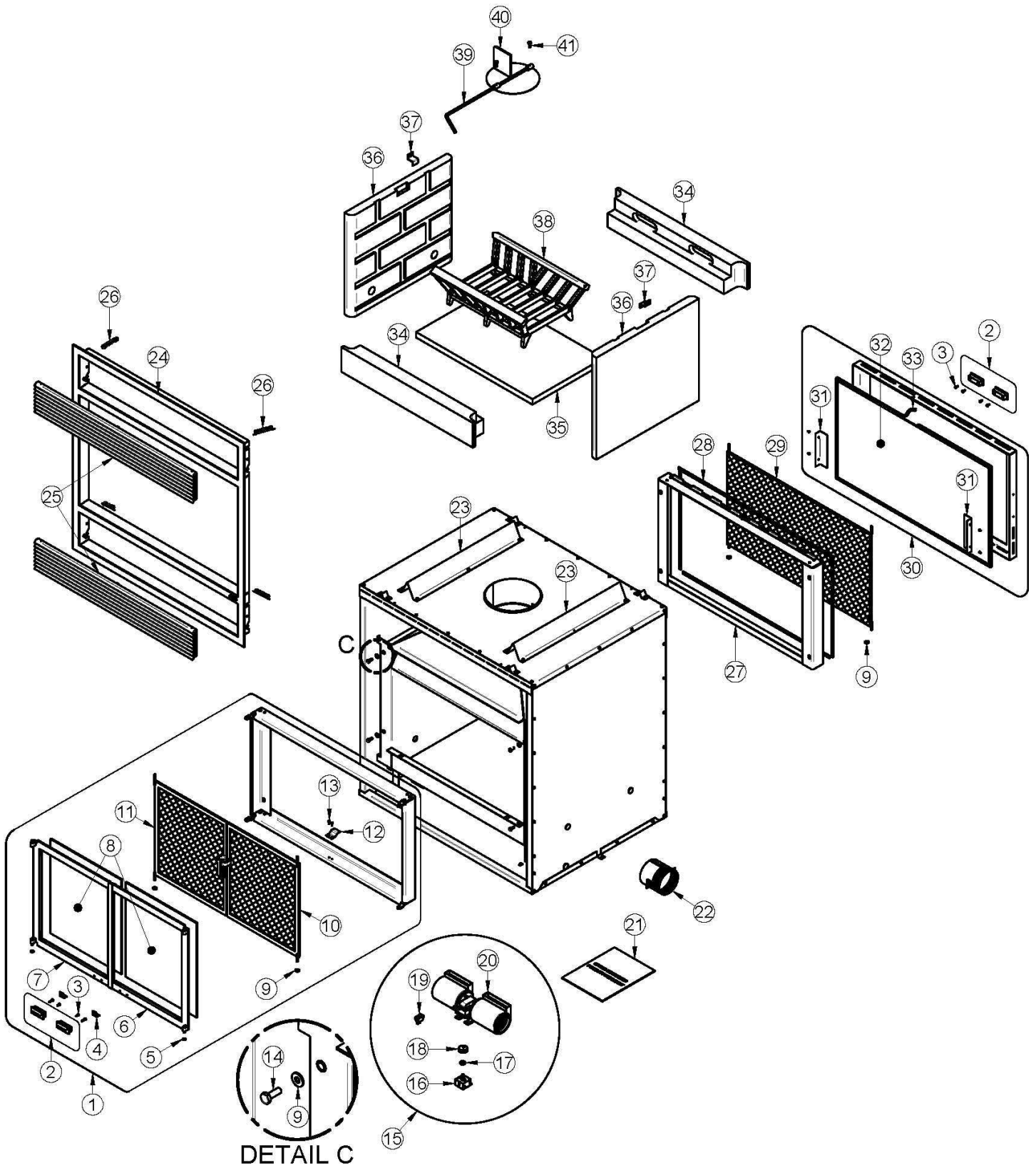
TROUBLESHOOTING

Expansion and contraction noises during the heating and cooling cycle are normal. Here is how to prevent smoke flow reversal: position air intake lever to maximum, slowly open the fireplace doors before lighting the kindling, make a torch by lighting rolled up newspaper and hold it out to the smoke chamber until you feel the chimney begin to draw.

A properly installed Westmount Fireplace should never smoke. If it does, it will probably be for one of the following reasons:

1. The chimney's outdoor installation is defective or incorrect, creating draught reversal problems and, consequently, making it difficult to start a fire.
2. The chimney was not adequately preheated. Remember that the hotter the fireplace, the better the chimney draws smoke.
3. The fireplace doors or the air intake damper were closed too quickly. Adequate air supply is essential to sustaining combustion.
4. If the room is too airtight or negative pressure has built in the house and there is no outside air intake, air supply to the fireplace will be lower than usual. Temporarily open a window near the fireplace to increase air supply.
5. Any type of fan (range hood or bathroom exhaust fan) that draws air outside can create negative pressure. Shut off the fan and/or open a window near the fireplace to solve this problem.
6. Wet wood smokes more than dry wood. The damper the wood, the less heat it generates and the more creosote it produces. If the wood being burned is very damp, inspect the chimney every month it is used.
7. Make sure the chimney is reasonably clean and unobstructed.
8. Check whether the chimney is the recommended height: minimum of 3' (914 mm) from the roof joint. If not, add more lengths of flue. This will improve draw and reduce the fireplace's tendency to smoke.
9. Fireplaces with chimneys abutting an unfinished outside wall often tend to smoke and are difficult to light. To prevent these problems, open a window near the fireplace and preheat the chimney by holding a newspaper torch in the smoke chamber (upper part of the combustion chamber). Wait long enough to establish effective draw, then light the fire.
10. Always remove excess ashes before lighting a fire. Maintaining a 1" (2.5 mm) thickness of ashes optimizes combustion and maximizes fire duration.
11. Use only dry wood, i.e. wood that has dried for one year (15% to 20% humidity). Very dry wood will burn very well, but will generate a great deal of heat and will not last.

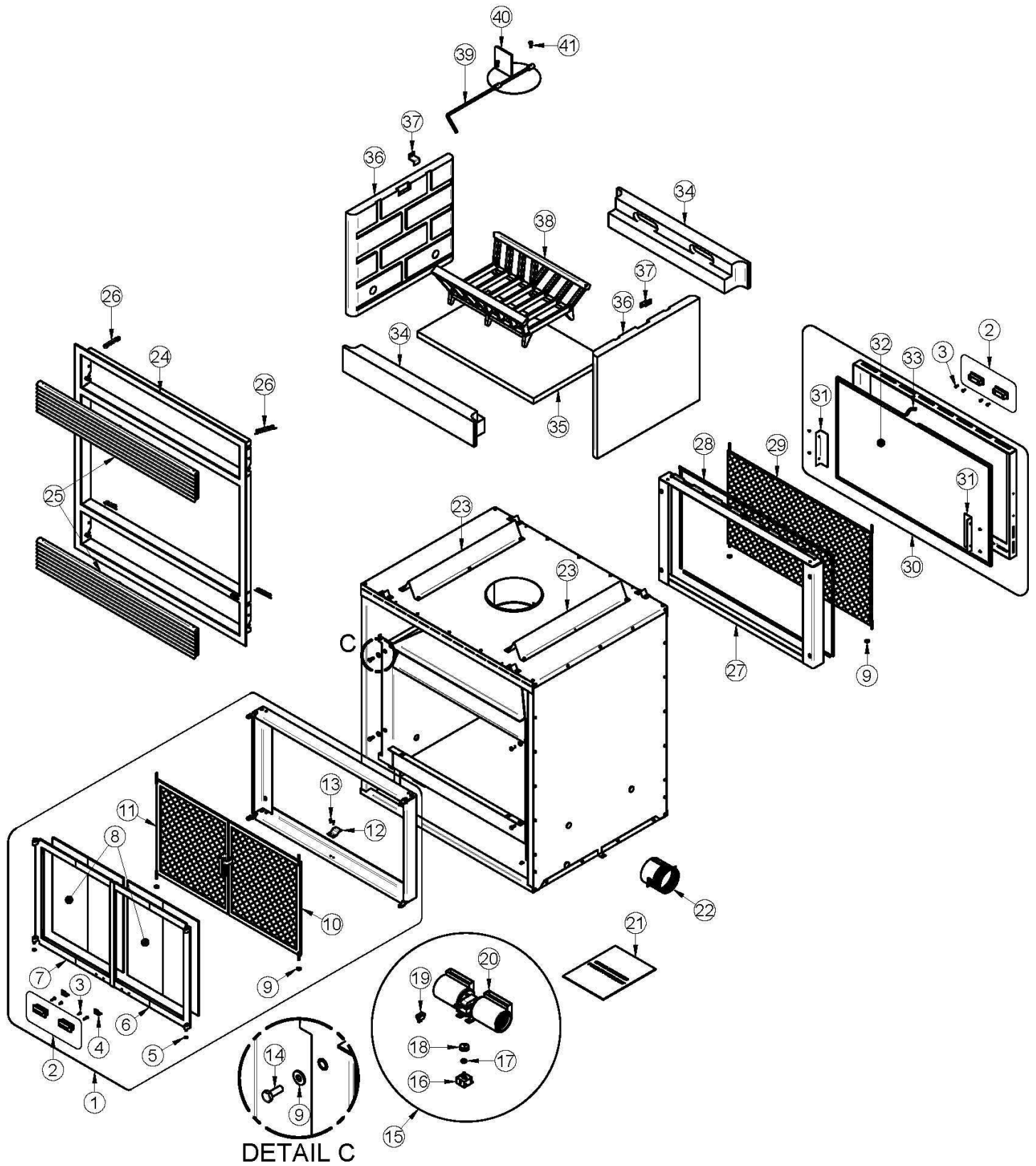
EXPLODED VIEW FOR REPLACEMENT PARTS (MODERN STYLE DOORS - FP5SBO)



PARTS LIST (MODERN STYLE DOORS - FP5SBO)

#	Item	Description	Qty
1	SE60032	DOUBLE DOOR KIT WITH FRAME AND FIRE SCREEN	1
2	AC09194	BLACK WOODEN DOOR HANDLE (2 PER PACKAGE)	2
3	30244	WOOD SCREW #8 X 3/4" PAN HEAD	8
4	PL60760	DOOR RETAINER	2
5	30559	FLAT WASHER 1/2" OD X 17/64" ID X 1/32"	2
6	99999	BUILD TO ORDER	1
7	99999	BUILD TO ORDER	1
8	VA2051J	CERAMIC GLASS 3/16" X 14 7/8" X 17 1/8"	2
9	30185	17/64" "AA" TYPE WASHER	12
10	SE60095	RH SIDE MECHE DOOR ASSEMBLY	1
11	SE60093	LH SIDE MECHE DOOR ASSEMBLY	1
12	PL59788	SCREEN DOOR CLIP	1
13	30158	BLACK METAL SCREW #8 X 1/2" PAN QUADREX TYPE "A"	2
14	30084	NUT 1/4-20 X 1/2" GRADE 5	8
15	VA4400	THERMAL ACTIVATION BLOWER WITH VARIABLE SPEED CONTROL	1
16	44080	RHEOSTAT WITH NUT	1
17	44087	RHEOSTAT NUT	1
18	44085	RHEOSTAT KNOB	1
19	44091	ROCKER SWITCH 2 POSITION MSR-8	1
20	44122	DOUBLE CAGE BLOWER 176 CFM	1
21	45338	FP5 INSTRUCTION MANUAL	1
22	PL59765	4" ADAPTER FOR FRESH AIR INTAKE KIT	1
23	PL59768	SPACER	2
24	VA2FE03	NARROW OVERLAP - ANTIQUE BRASS	2
24	VA2FE39	NARROW OVERLAP - BRUSHED NICKEL	2
24	VA2FL06	LARGE OVERLAP - PAINTED BLACK	2
24	VA2FE06	NARROW OVERLAP - PAINTED BLACK	2
25	SE60079	BOTTOM OR TOP LOUVER ASSEMBLY	4
26	30472	SPRING 1/2" OUTSIDE DIA. X 3"L	8
27	SE60534	FP5 SINGLE FIRESCREEN DOOR WITH FRAME	1
28	AC06710	GLUE AND 3/8" X 7' WHITE DOOR GASKET KIT	2
29	SE60595	FIRESCREEN DOOR	1
30	SE60593	FP5 FIX DOOR ASSEMBLY	1
31	PL60597	GLASS RETAINER	2
32	VA5051J	CERAMIC GLASS 3/16" X 32 3/8" X 18 1/4"	1
33	AC06400	3/4" (FLAT) X 6' BLACK SELF-ADHESIVE GLASS GASKET KIT	2
34	VA5071-5	FRONT REFRACTORY BRICK	2
35	VA5071-4	FLOOR REFRACTORY BRICK	1
36	VA5071-2	RIGHT OR LEFT SIDE REFRACTORY BRICK	1
37	PL53145	REFRACTORY RETAINER	2
38	AC02200	19 1/2" X 14 1/4" X 6 3/4" UNIVERSAL FIREPLACE GRATE	1
39	PL59815	EXHAUST DAMPER ROD	1
40	SE59813	EXHAUST DAMPER ASSEMBLY	1
41	30084	NUT 1/4-20 X 1/2" GRADE 5	2

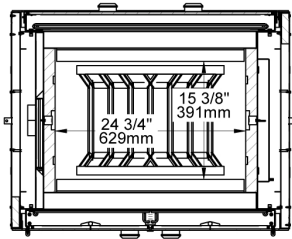
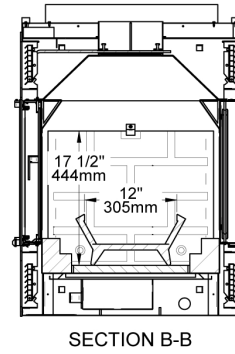
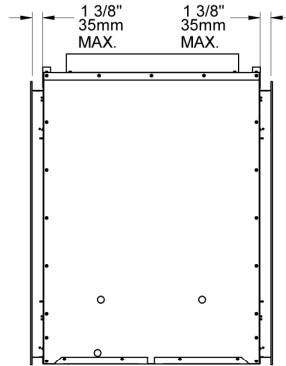
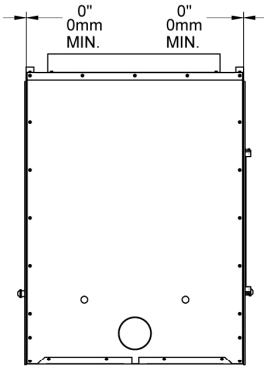
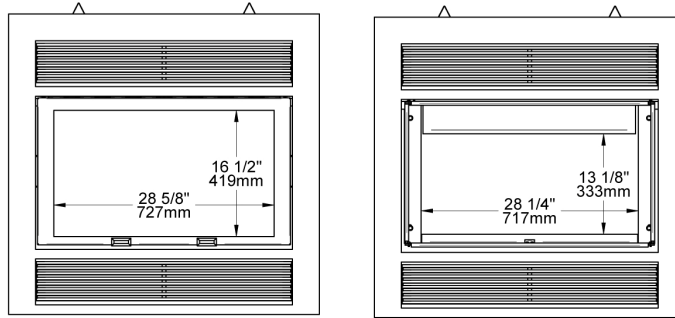
EXPLODED VIEW FOR REPLACEMENT PARTS (MODERN STYLE FOLDING DOORS - FP5DBO)



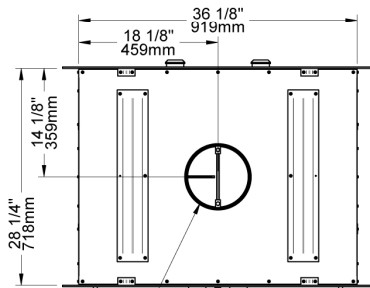
PARTS LIST (MODERN STYLE FOLDING DOORS - FP5DBO)

#	Item	Description	Qty
1	SE60034	FOLDABLE DOUBLE DOOR KIT WITH FRAME AND FIRE SCREEN	1
2	AC09194	BLACK WOODEN DOOR HANDLE (2 PER PACKAGE)	2
3	30244	WOOD SCREW #8 X 3/4" PAN HEAD	8
4	PL60760	DOOR RETAINER	2
5	30559	FLAT WASHER 1/2" OD X 17/64" ID X 1/32"	2
6	99999	BUILD TO ORDER	1
7	99999	BUILD TO ORDER	1
8	VA2051K	CERAMIC GLASS 3/16" X 7 3/8" X 17 1/8"	4
9	30185	17/64" "AA" TYPE WASHER	12
10	SE60095	RH SIDE MECHE DOOR ASSEMBLY	1
11	SE60093	LH SIDE MECHE DOOR ASSEMBLY	1
12	PL59788	SCREEN DOOR CLIP	1
13	30158	BLACK METAL SCREW #8 X 1/2" PAN QUADREX TYPE "A"	2
14	30084	NUT 1/4-20 X 1/2" GRADE 5	8
15	VA4400	THERMAL ACTIVATION BLOWER WITH VARIABLE SPEED CONTROL	1
16	44080	RHEOSTAT WITH NUT	1
17	44087	RHEOSTAT NUT	1
18	44085	RHEOSTAT KNOB	1
19	44091	ROCKER SWITCH 2 POSITION MSR-8	1
20	44122	DOUBLE CAGE BLOWER 176 CFM	1
21	45338	FP5 INSTRUCTION MANUAL	1
22	PL59765	4" ADAPTER FOR FRESH AIR INTAKE KIT	1
23	PL59768	SPACER	2
24	VA2FE06	NARROW OVERLAP - PAINTED BLACK	2
24	VA2FL06	LARGE OVERLAP - PAINTED BLACK	2
24	VA2FE39	NARROW OVERLAP - BRUSHED NICKEL	2
24	VA2FE03	NARROW OVERLAP - ANTIQUE BRASS	2
25	SE60079	BOTTOM OR TOP LOUVER ASSEMBLY	4
26	30472	SPRING 1/2" OUTSIDE DIA. X 3"L	8
27	SE60534	FP5 SINGLE FIRESCREEN DOOR WITH FRAME	1
28	AC06710	GLUE AND 3/8" X 7' WHITE DOOR GASKET KIT	2
29	SE60595	FIRESCREEN DOOR	1
30	SE60593	FP5 FIX DOOR ASSEMBLY	1
31	PL60597	GLASS RETAINER	2
32	VA5051J	CERAMIC GLASS 3/16" X 32 3/8" X 18 1/4"	1
33	AC06400	3/4" (FLAT) X 6' BLACK SELF-ADHESIVE GLASS GASKET KIT	2
34	VA5071-5	FRONT REFRACTORY BRICK	2
35	VA5071-4	FLOOR REFRACTORY BRICK	1
36	VA5071-2	RIGHT OR LEFT SIDE REFRACTORY BRICK	1
37	PL53145	REFRACTORY RETAINER	2
38	AC02200	19 1/2" X 14 1/4" X 6 3/4" UNIVERSAL FIREPLACE GRATE	1
39	PL59815	EXHAUST DAMPER ROD	1
40	SE59813	EXHAUST DAMPER ASSEMBLY	1
41	30084	NUT 1/4-20 X 1/2" GRADE 5	2

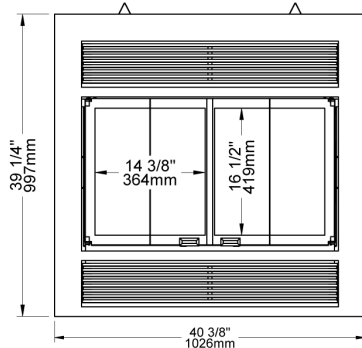
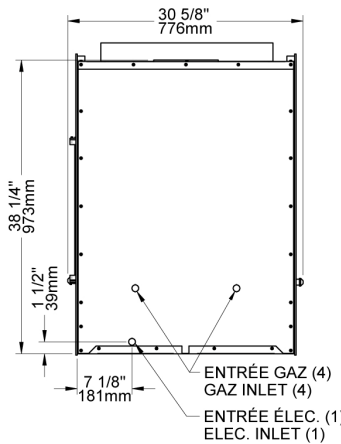
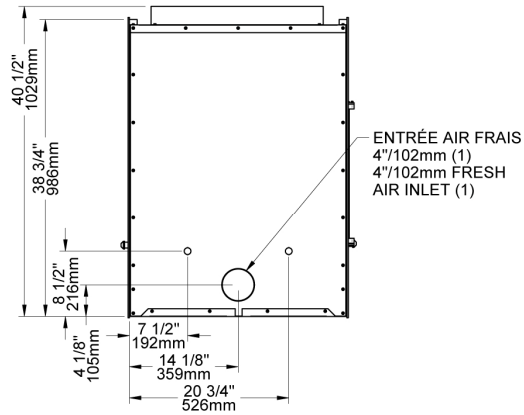
VIEWS WITH MEASUREMENTS FP5DB0 WITH LARGE OVERLAP



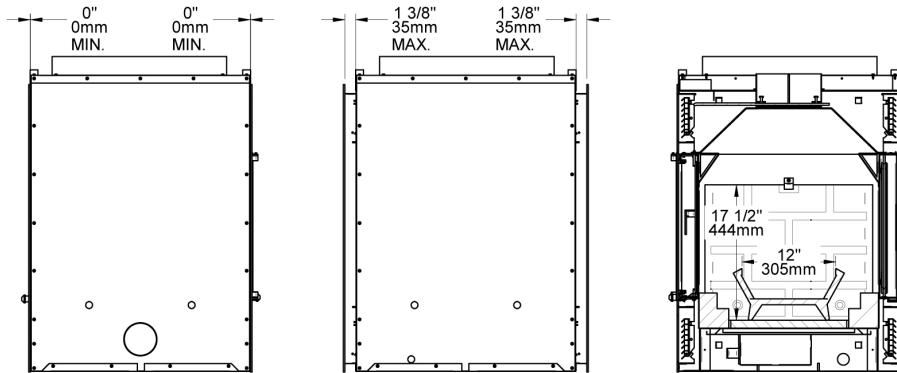
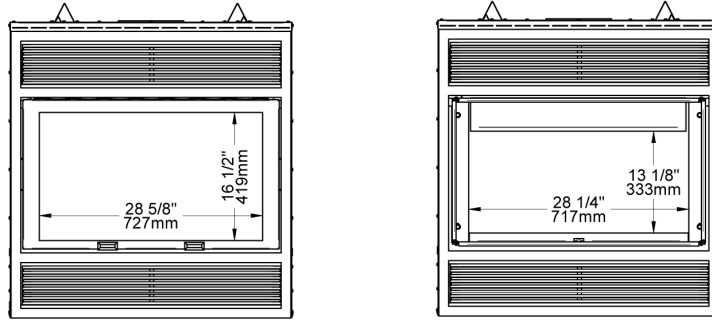
SECTION A-A



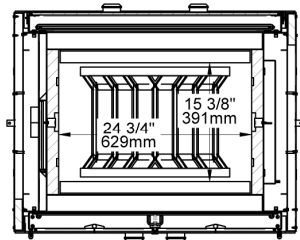
CHEMINÉE 8"/203mm
8"/203mm CHIMNEY



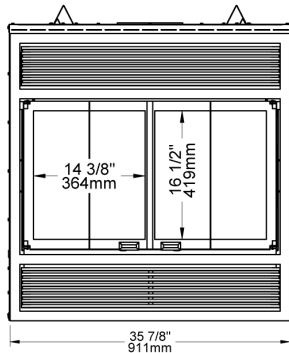
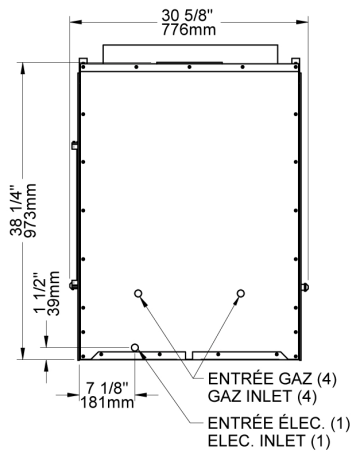
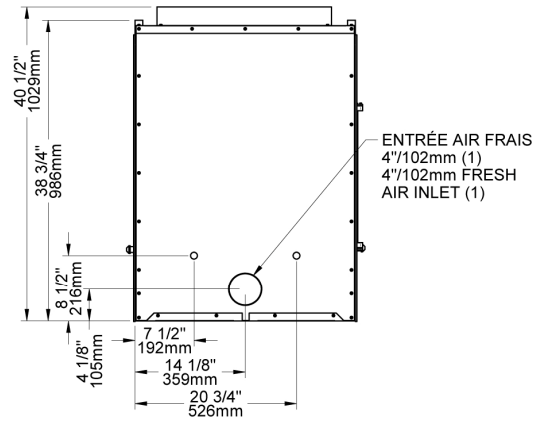
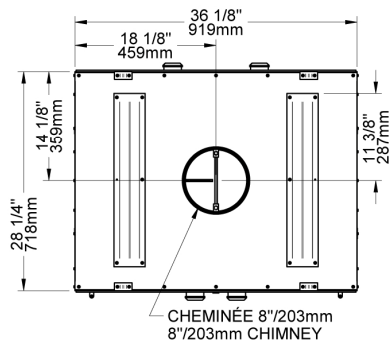
VIEWS WITH MEASUREMENTS FP5DB0 WITH NARROW OVERLAP



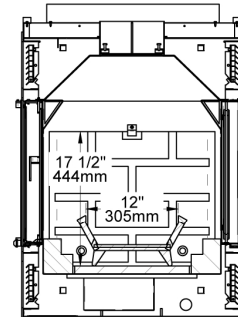
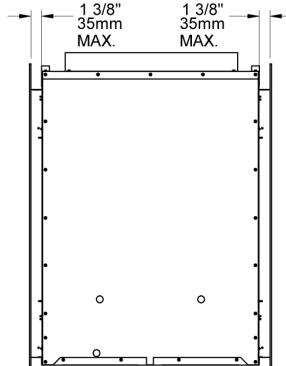
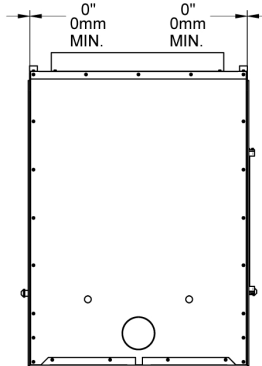
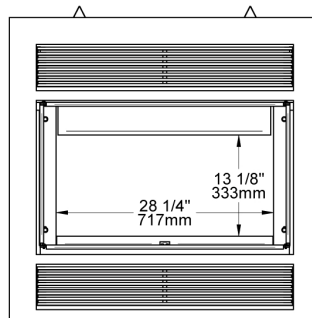
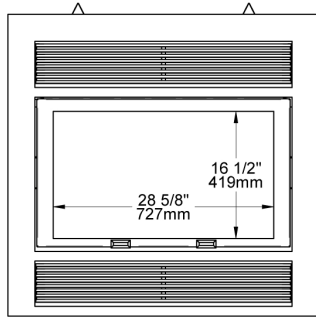
SECTION B-B



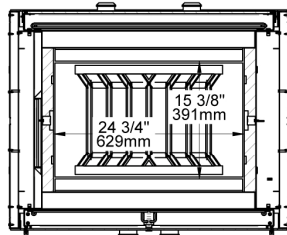
SECTION A-A



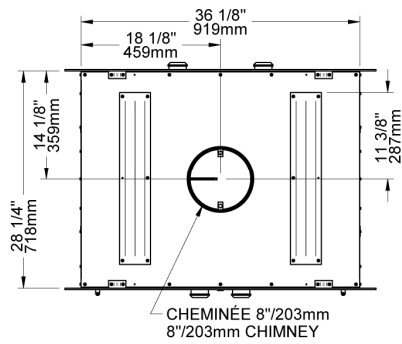
VIEWS WITH MEASUREMENTS FP5SB0 WITH LARGE OVERLAP



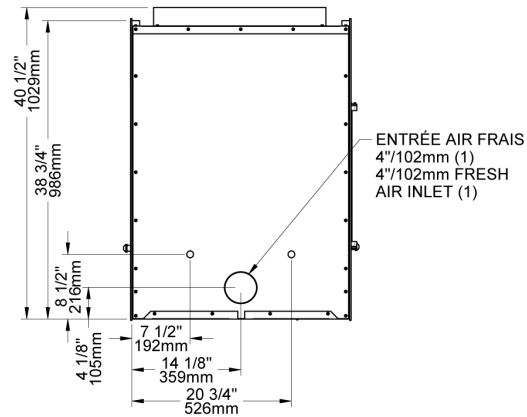
SECTION B-B



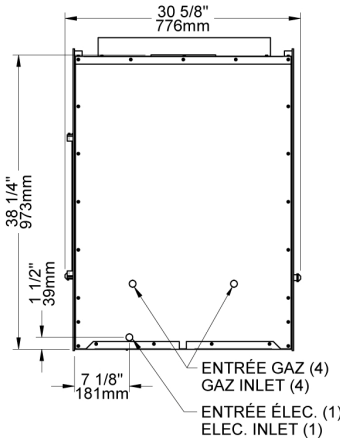
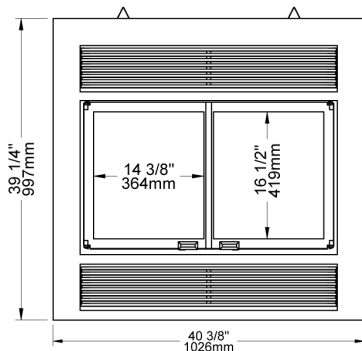
SECTION A-A



CHEMINÉE 8\"/>

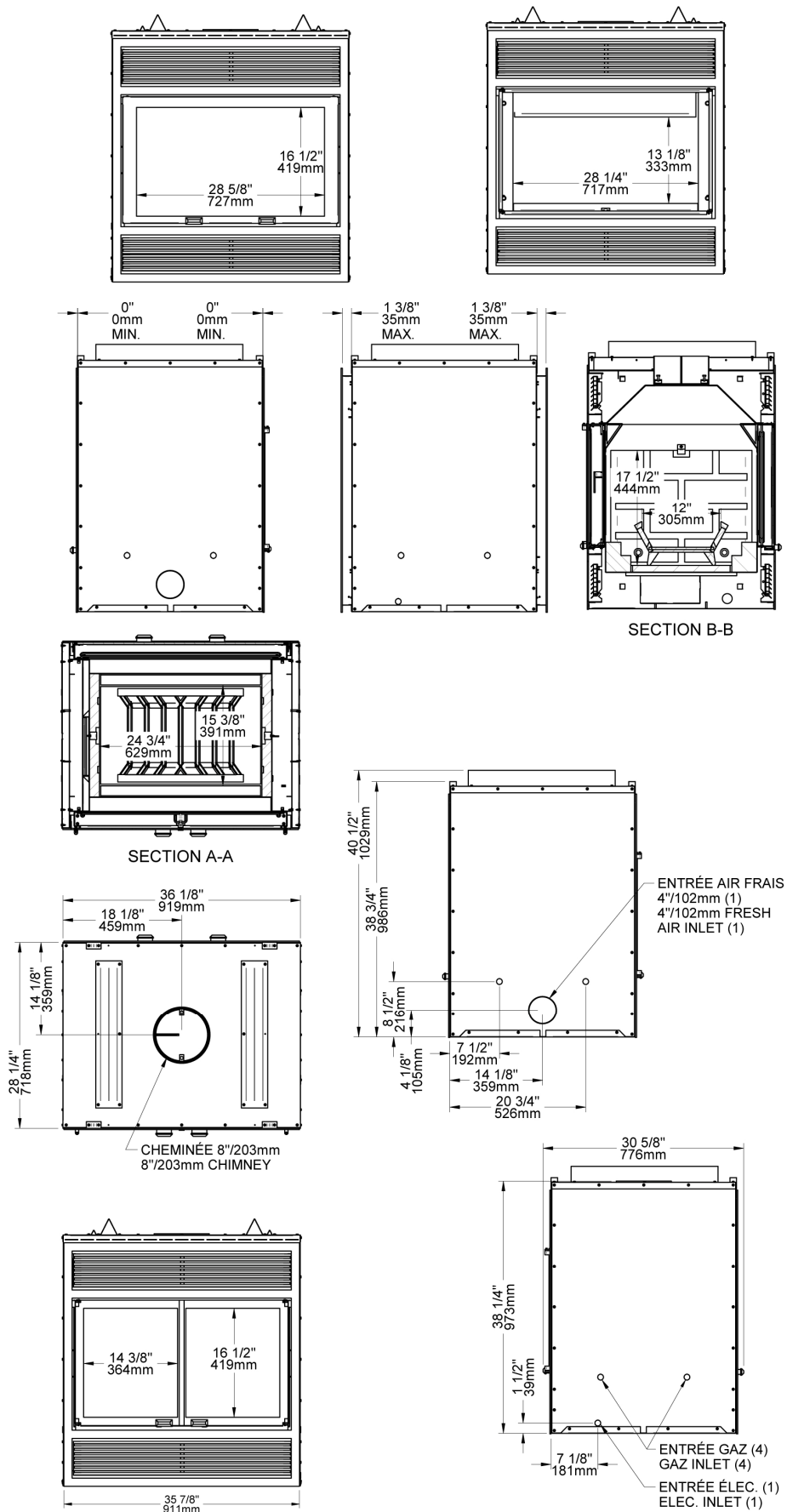


ENTRÉE AIR FRAIS
4\"/>



ENTRÉE GAZ (4)
GAZ INLET (4)
ENTRÉE ÉLEC. (1)
ELEC. INLET (1)

VIEWS WITH MEASUREMENTS FP5SB0 WITH NARROW OVERLAP



VALCOURT LIMITED LIFETIME WARRANTY

The warranty of the manufacturer extends only to the original consumer purchaser and is not transferable. This warranty covers brand new products only, which have not been altered, modified nor repaired since shipment from factory. Products covered under this warranty must have been manufactured after the revision date indicated below. Proof of purchase (dated bill of sale), model name and serial number must be supplied when making any warranty claim to your VALCOURT dealer.

This warranty applies to normal residential use only. Damages caused by misuse, abuse, improper installation, lack of maintenance, over firing, negligence or accident during transportation, power failures, downdrafts, or venting problems are not covered by this warranty.

This warranty does not cover any scratch, corrosion, distortion, or discoloration. Any defect or damage caused by the use of unauthorized parts or others than original parts void this warranty. An authorized qualified technician must perform the installation in accordance with the instructions supplied with this product and all local and national building codes. Any service call related to an improper installation is not covered by this warranty.

The manufacturer may require that defective products be returned or that digital pictures be provided to support the claim. Returned products are to be shipped prepaid to the manufacturer for investigation. If a product is found to be defective, the manufacturer will repair or replace such defect. Transportation fees to ship the product back to the purchaser will be paid by the manufacturer. Repair work covered by the warranty, executed at the purchaser's domicile by an authorized qualified technician requires the prior approval of the manufacturer. Labour cost and repair work to the account of the manufacturer are based on predetermined rate schedule and must not exceed the wholesale price of the replacement part. All parts and labour costs covered by this warranty are limited according to the table below.

The manufacturer at its discretion may decide to repair or replace any part or unit after inspection and investigation of the defect. The manufacturer may, at its discretion, fully discharge all obligations with respect to this warranty by refunding the wholesale price of any warranted but defective parts. The manufacturer shall in no event be responsible for any special, indirect, consequential damages of any nature, which are in excess of the original purchase price of the product. A one-time replacement limit applies to all parts benefiting from a lifetime coverage. This warranty applies to products purchased after March 1st, 2009.

DESCRIPTION	WARRANTY APPLICATION	
	PARTS	LABOUR
Combustion chamber (welds only), castings, convector air-mate, and ceramic glass (thermal breakage only*).	Lifetime	4 years
Plating* (defective manufacture) – subject to limitations above.	Lifetime	n/a
Stainless steel firebox components, surrounds and heat shields, ash drawer, steel legs, pedestal, trims (aluminum extrusions), C-Cast baffle*, vermiculite baffle* and secondary air tubes*.	5 years	3 years
Carbon steel firebox components, glass retainers, and handle assembly.	3 years	2 years
Blowers, heat sensors, switches, rheostat, wiring, and electronics.	2 years	1 year
Paint (peeling), gaskets, insulation, refractory panels* and ceramic fibre blankets.	1 year	n/a

*Pictures required

Shall your unit or a components be defective, contact immediately your VALCOURT dealer. Prior to your call make sure you have the following information necessary to your warranty claim treatment:

- Your name, address and telephone number;
- Bill of sale and dealer's name;
- Installation configuration;
- Serial number and model name as indicated on the nameplate fixed to the back of your unit;
- Nature of the defect and any relevant information.

Before shipping your unit or defective component to our plant, you must obtain from your VALCOURT dealer an Authorization Number. Any merchandise shipped to our plant without authorization will be refused automatically and returned to sender.