

FP8 *Valcour*

PREFABRICATED WOOD-BURNING FIREPLACE

INSTALLATION AND OPERATION MANUAL

Keep this manual for future reference



Valcour
The Fireplace of Your Dreams

Standards:
ULC-S610
UL-127
EPA Phase II

Manufactured by:
STOVE BUILDER INTERNATIONAL INC.
250, rue de Copenhague,
Saint-Augustin-de-Desmaures
(Quebec) G3A 2H3

Tel.: 418 878-3040
Fax: 418 878-3001
valcourtinc.com



This manual is available for free download on the manufacturer's web site. It is a copyrighted document. Re-sale is strictly prohibited. The manufacturer may update this manual from time to time and cannot be responsible for problems, injuries, or damages arising out of the use of information contained in any manual obtained from unauthorized sources.

TABLE OF CONTENTS

	Page
INTRODUCTION.....	3
INSTALLATION.....	5
Fireplace Installation.....	8
Door overlay installation.....	11
Chimney Installation.....	12
Installation Instructions for Masonry Application.....	15
Fireplace Finish.....	18
USE AND SAFETY.....	23
The Use of Manufactured Logs.....	24
Creosote.....	24
Chimney Fire Safety Procedures.....	24
Feeding and Controlling Combustion.....	24
MAINTENANCE.....	27
Glass and Metal Plating.....	27
Replacing Refractory Bricks.....	27
Door Installation and Alignment.....	28
Gasket Replacement.....	28
TROUBLESHOOTING.....	29
HEAT DISTRIBUTION SYSTEMS.....	30
Forced Air Distribution Kit.....	30
Gravity Distribution Kit.....	31
VALCOURT LIMITED LIFETIME WARRANTY.....	32

REGISTER YOUR WARRANTY ONLINE

To receive full warranty coverage, you will need to show evidence of the date you purchased your unit. Keep your sales invoice. We also recommend that you register your warranty online at

<http://www.valcourtinc.com/warranty-registration.aspx>

Registering your warranty online will help us track rapidly the information we need on your unit.

INTRODUCTION

This manual contains all the information required for safe, efficient installation and use of your Valcourt fireplace. Read carefully all the instructions contained herein and keep this manual handy so you may refer to it whenever necessary.

Before starting to install the fireplace, consult local authorities to obtain a construction permit and learn about all applicable regulatory requirements.

We recommend that our wood burning hearth products be installed and serviced by professionals who are certified in the United States by NFI (National Fireplace Institute®) or in Canada by WETT (Wood Energy Technical Training) or in Quebec by APC (Association des Professionnels du Chauffage).

Do not install this fireplace in a mobile home.

THE INFORMATION GIVEN ON THE CERTIFICATION LABEL AFFIXED TO THE APPLIANCE ALWAYS OVERRIDES THE INFORMATION PUBLISHED, IN ANY OTHER MEDIA (OWNER'S MANUAL, CATALOGUES, FLYERS, MAGAZINES AND/OR WEB SITES).

Maximum recommended heating area : 500 to 1,900 square feet (with forced air kit)

Heating capacity* – BTU/hr., EPA test wood : 36,900

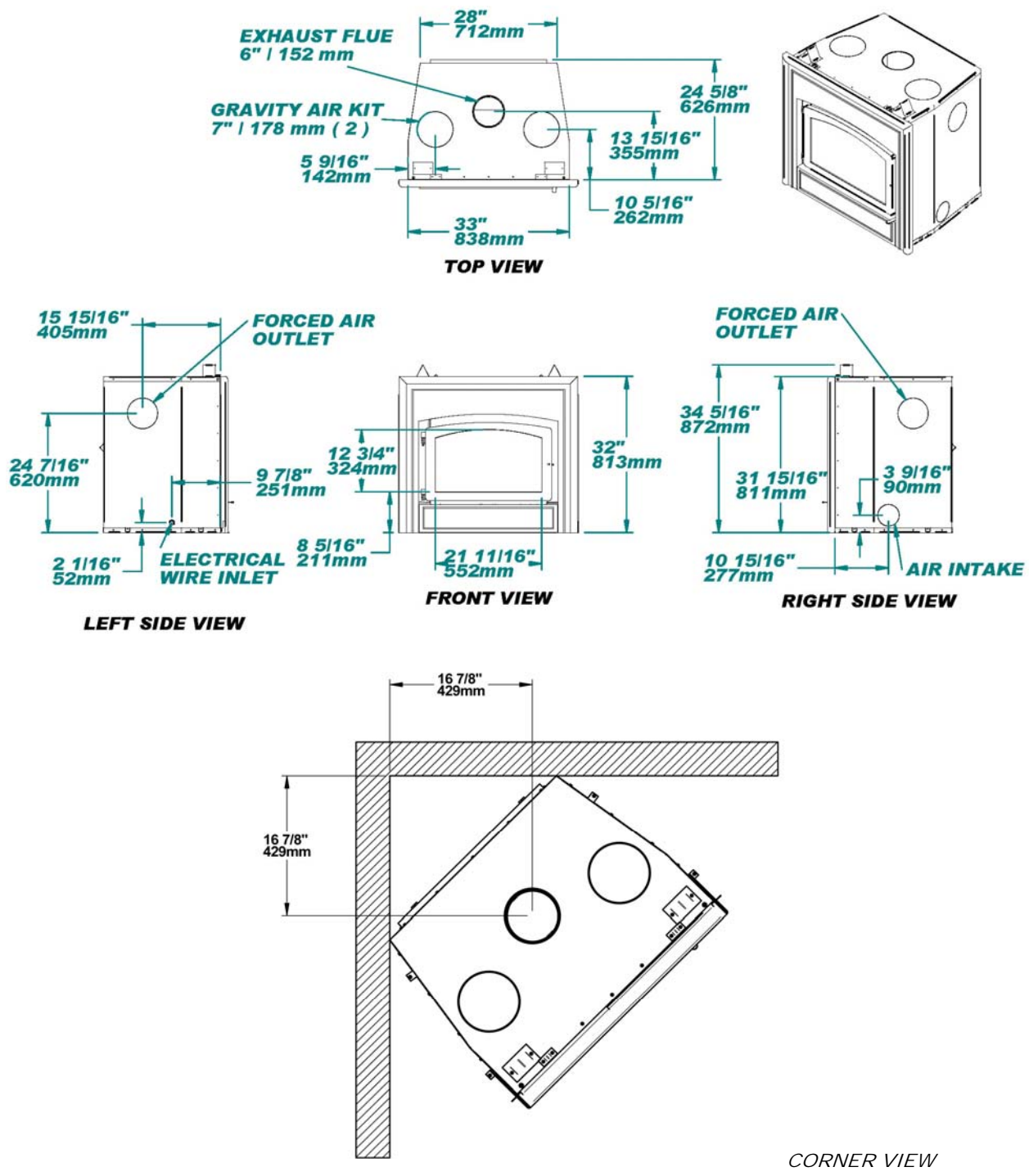
Heating capacity* – BTU/hr., seasoned cordwood : 65,000

Optimum efficiency : 75%

**Why is the BTU indicated on the EPA label smaller than the one advertised?*

You will notice a difference between the BTU output as indicated on the unit's white EPA label affixed to the glass and the BTU as advertised on our web site and/or product literature. The maximum BTU output we advertise for this unit is what will be obtained with a full load of seasoned cordwood inserted inside the firebox. The EPA output, on the other hand, is what has been obtained during emissions testing. The EPA test procedure requires that a special type of wood be used and positioned inside the firebox in a manner that does not represent the way the firebox volume would normally be utilized using seasoned cordwood. The EPA test load is typically much smaller. Hence, the BTU as per the EPA label is reduced. The BTU output that should be considered by a normal user is the one we advertise for seasoned cordwood.

Figure #1: Saguenay Fireplace Dimensions



INSTALLATION

This fireplace is designed and approved for installation with the following brands of chimneys measuring 6" (152 mm) in diameter as well as a minimum of 15' (4.6 m) and maximum of 45' (13.5 m) in height.

No other device must be added to the chimney connected to the fireplace.

CHIMNEY MANUFACTURER	BRAND	TYPE	INNER DIAMETER
Selkirk	Ultra-Temp (UT)	1" Solid Pack	6" (15 cm)
Selkirk	Super Pro (SPR)	1" Solid Pack	6" (15 cm)
Selkirk	Super Vent (JSC)	1" Solid Pack	6" (15 cm)
Selkirk	Hart & Cooley (TLC)	1" Solid Pack	6" (15 cm)
Selkirk	Sure-Temp (ST)	1" Solid Pack	6" (15 cm)
Selkirk	CF Sentinel (CF)	2" Solid Pack	6" (15 cm)
Selkirk	Super Pro 2100 (ALT)	2" Solid Pack	6" (15 cm)
Selkirk	Super Vent 2100 (JM)	2" Solid Pack	6" (15 cm)
Selkirk	UltimateOne	1" Solid Pack	6" (15 cm)
Security Chimney	ASHT+	1" Solid Pack	6" (15 cm)
Security Chimney	S-2100 +	2" Solid Pack	6" (15 cm)
Simpson Dura Vent	Dura Tech	1" Solid Pack	6" (15 cm)
Simpson Dura Vent	Dura Plus HTC	2" Solid Pack	6" (15 cm)
ICC	Excel 2100	1" Solid Pack	6" (15 cm)
Metal Fab	Temp Guard	1" Solid Pack	6" (15 cm)
Olympia Chimney	Ventis	1" Solid Pack	6" (15 cm)

Install the fireplace only according to the methods described herein and ensure proper clearance is provided to combustibles. Use only the parts and chimneys specified in this manual. **Any non-compliance with these directions could create a hazardous situation, thus voiding the certification and the warranty.**

ATTENTION: Do not modify or adapt the fireplace's construction or components. This would void the warranty. In this event, Valcourt would not be responsible for any damages which may occur.

Choose the best location for your fireplace, based on the position of the doors and windows and room air flow. Provide for the positioning of hot air ducts (optional), an outside air inlet as well as the chimney. Remember to leave sufficient space for the hearth extension and mantel. If possible, install the fireplace where it will not be necessary to cut any floor or ceiling joists. (Figure #2)

The fireplace must be installed against a finished wall. Do not install the fireplace against a moisture barrier or insulation (insulating wool). Do not insert insulation into the enclosure around the chimney.

There are several possibilities for the chimney's configuration. See Figure #3 to determine the appropriate configuration for your home. The straighter the chimney, the easier it will be to clean and maintain.

For optimal performance, install the chimney indoors if possible. In areas where temperatures are constantly below freezing (32°F/0°C), installing the chimney outdoors promotes functional problems such as low draft, excessive creosoting, and problems starting the fire. In addition, outdoor chimneys are subject to decreases in pressure and smoke flow reversal. Fireplaces with outdoor chimneys installed on lower floors (basements) are particularly prone to smoke flow reversal. (Figure #3)

Figure #2: Various Fireplace Locations

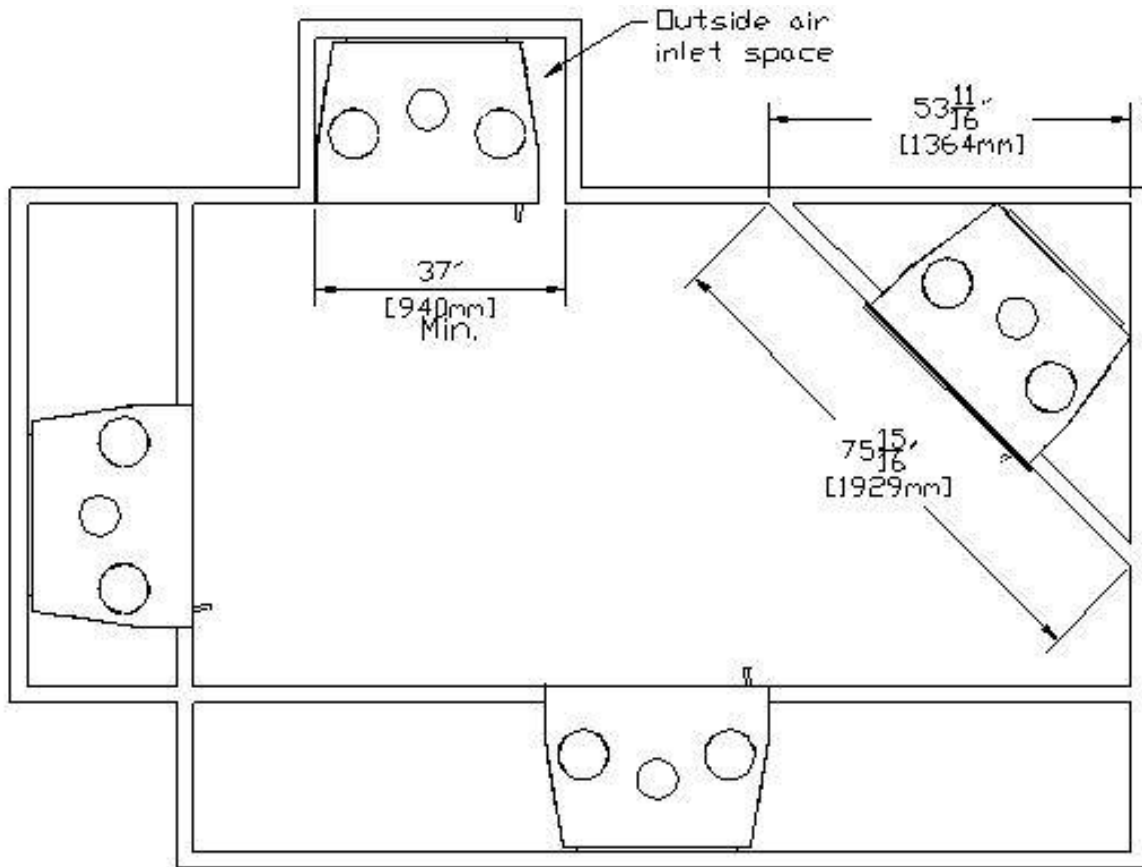
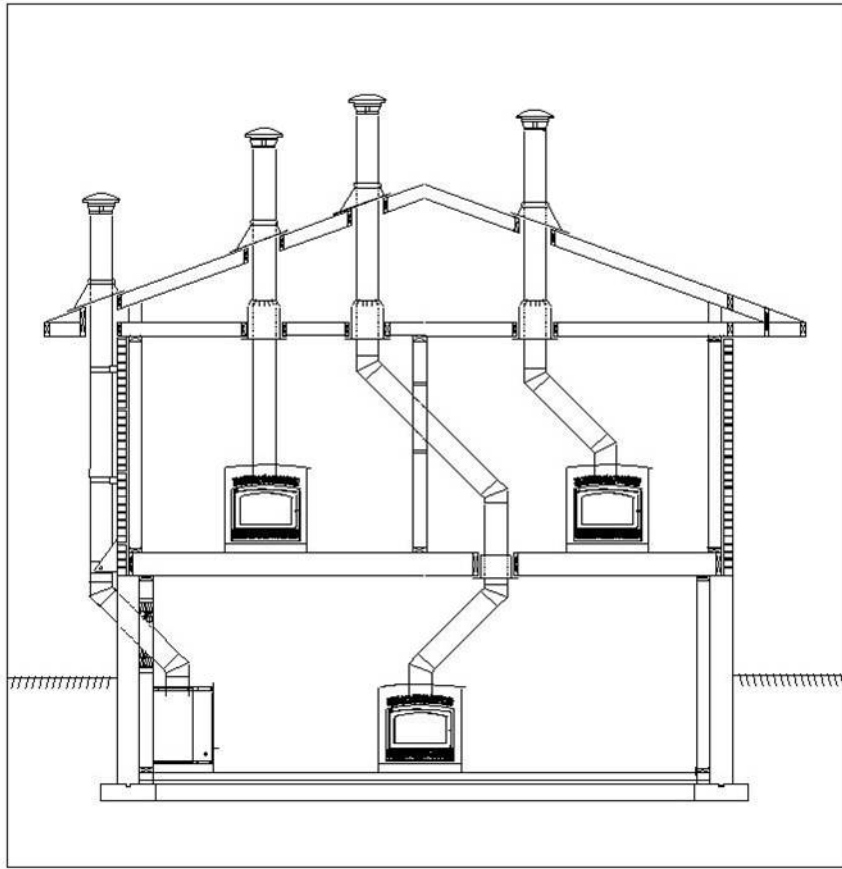


Figure #3: Chimney Configurations



The table below shows the minimum chimney height requirements, fireplace included, according to the number of elbows:

Chimney	Number of Elbows	Minimum Height
Straight installation	-----	15' (4.6 m)
1 - 15° offset	2 - 15° elbows	15' (4.6 m)
2 - 15° offsets	4 - 15° elbows	18' (5.5 m)
1 - 30° offset	2 - 30° elbows	15' (4.6 m)
2 - 30° offsets	4 - 30° elbows	20' (6.1 m)
* 1 - 45° offset	* 2 - 45° elbows	16' (4.9 m)
* 2 - 45° offsets	* 4 - 45° elbows	23' (7.0 m)

* Permitted only in Canada.

FIREPLACE INSTALLATION

1. Remove all combustible floor coverings, e.g. carpeting, linoleum, etc., from the area where the fireplace is to be installed.
2. The fireplace must be installed directly on a platform with a minimum height of 2" (51 mm) and made of combustible or non combustible materials, such as wood or plywood or any other hard, sturdy surface.
3. A 38" x 16" (965 mm x 407 mm) minimum hearth extension made of non combustible material is required. The extension can be lower than or flush with the base of the fireplace. (Figures #5)
4. To prevent any burning embers falling between the fireplace and the hearth extension from coming into contact with the floor, insert a metal sheet under the front of the fireplace. This sheet must extend 4" (100 mm) on both sides of the fireplace and 2" (50 mm) in front. You can also prevent embers from falling in the joint between the fireplace and the hearth extension by filling it with mortar grout. (Figure #5)
5. To anchor the fireplace to the floor, unfold lower metal attachments and screw them to the floor using 1" (25 mm) screws.
6. The fireplace opening must be at least 12" (305 mm) away from any wall at a right angle with the appliance's face. (Figure #11)
7. The standards in your area may require an outside air inlet. Even if this is not the case, it is beneficial to do so as this will improve the fireplace's performance. Install a flexible air duct that is 4" (102 mm) in diameter and a maximum length of 20' (6.1 m). If a longer duct is required, increase diameter to 6" but the maximum length will then be 40' (12.2 m). The outside air intake must not come from a garage, carport, basement, attic or the chimney's enclosure. If the outside air intake installation is impossible, the plate on the outside air box must be removed. This plate is located at the bottom right inside the fireplace behind the lower louver.
8. Install the outside air inlet in a place where it is unlikely to become blocked by snow and is sheltered from high winds. Make sure it is far from the gas meter or any other device that may emit fumes or gases, such as automobile exhaust.
9. Once you have decided on the location of the outside air inlet, drill a 4¼" (108 mm) hole in the wall. Insert the inlet grill in the hole from the outside and screw it to the wall with four 1" (25 mm) screws.
10. From the inside, insert the insulated flexible duct and attach it to the inlet grill with aluminum duct tape or ¾" (19 mm) metal screws.
11. On the lower right side of the fireplace, remove the metal piece blocking the air intake. Insert the adaptor included with the fireplace and screw it in place using two ¾" (19 mm) metal screws. Using an adjustable collar or aluminum duct tape, attach the flexible duct to the adaptor.
12. Valcourt fireplaces can be equipped with a temperature control. The fan will come on as soon as the fireplace reaches its minimum start temperature. Have the wiring installed by a qualified electrician (Figure #4).

Electrical Installation Instructions

- 12.1 Install the connection box on the bottom right of the fireplace behind the lower louver.
- 12.2 Install the fan on the pegs at the back of the fireplace behind the lower louver.
- 12.3 Connect the terminals onto the thermo-disc found under the fireplace floor.
- 12.4 Insert a 110-volt wire into the box through the appropriate hole.
- 12.5 Connect the wiring in the box.
- 12.6 Test the wiring.
- 12.7 Close the connection box.

Figure #4: Circuit Diagram

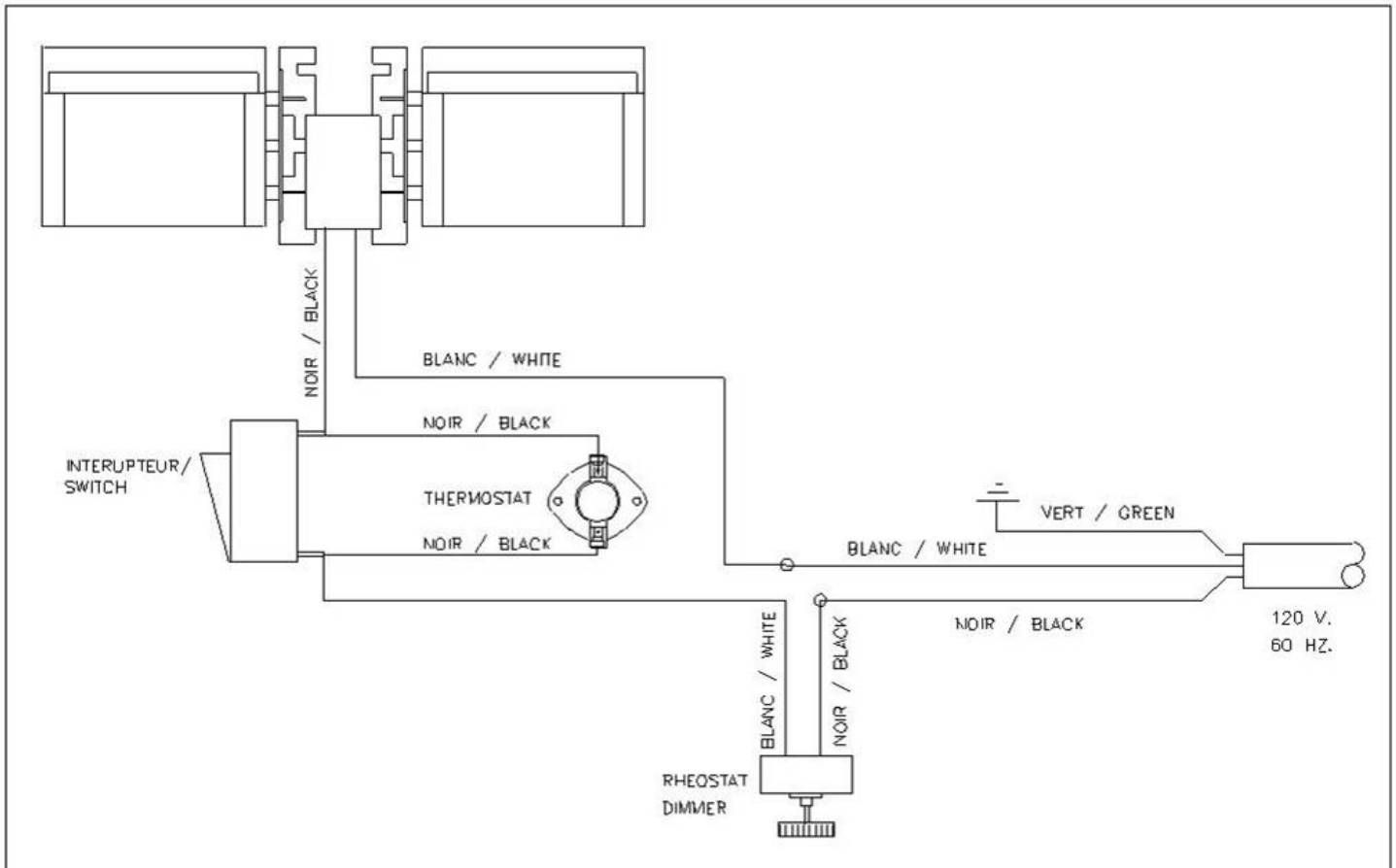
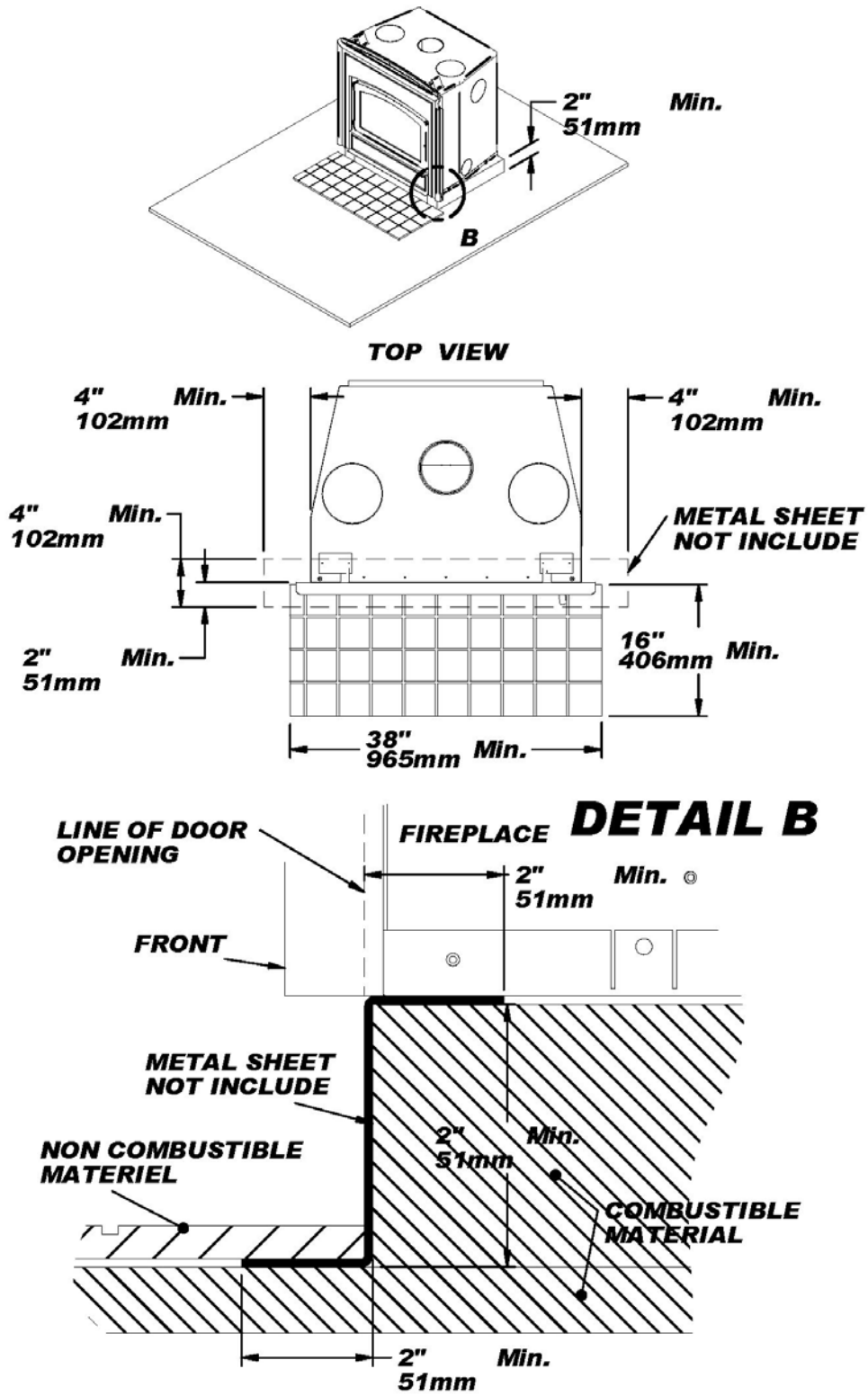
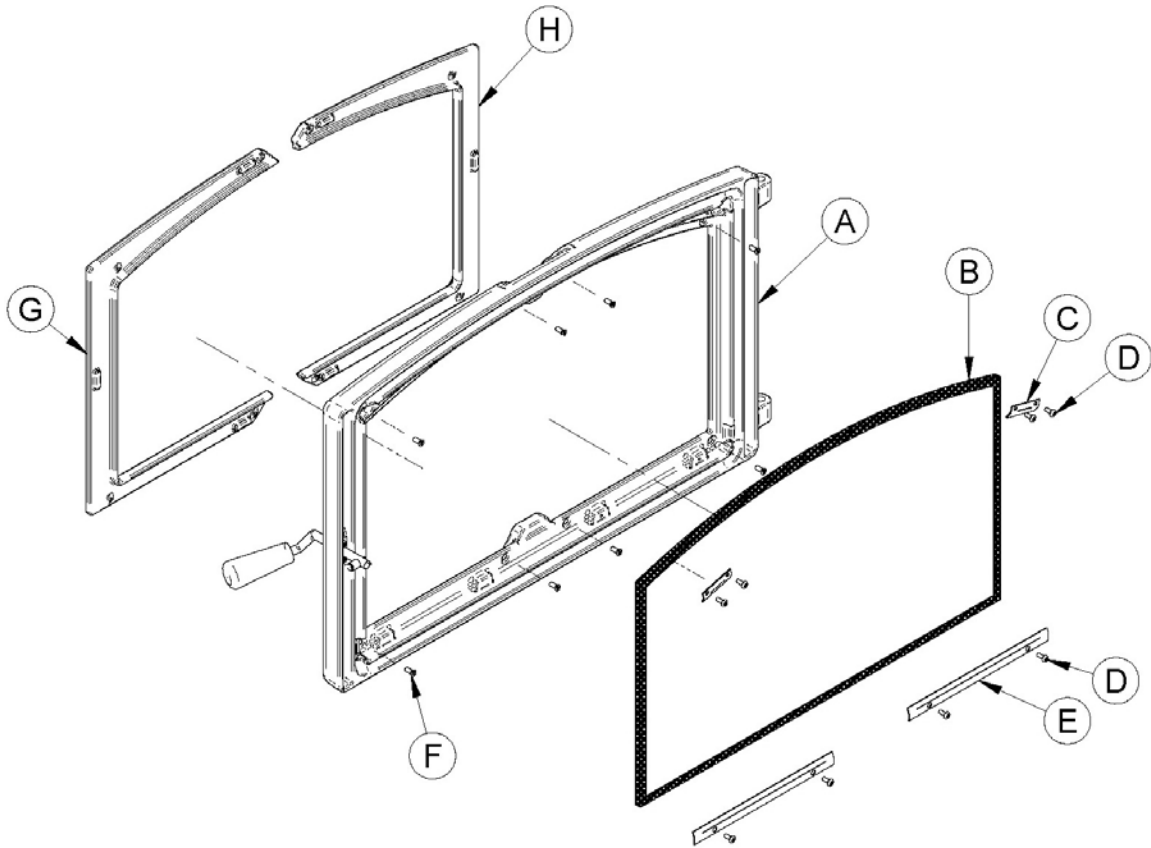


Figure #5: Hearth Extension Installation



DOOR OVERLAY INSTALLATION

Your Valcourt fireplace is equipped with a door overlay. See drawing below for installation details.



CHIMNEY INSTALLATION

1. If possible, install an interior chimney as it will provide better performance. In areas with continuous temperatures below -18°C (0°F), the use of an exterior chimney increases the likelihood of operating problems such as low draft, high rate of creosoting, and poor start-up characteristics. Exterior chimneys are also prone to down-drafting and flow reversal. Installations, which are located on lower floors in the house, such as in a basement, in combination with outside chimney, are especially prone to flow reversal.
2. The FP8 SAGUENAY is listed only with chimney systems described in table 1.
3. A chimney venting a fireplace shall not vent any other appliance.
4. The minimum chimney system height for a straight installation is 15 ft. (4,6 m).
5. All chimney installations must include at least one support. Reducing the amount of chimney weight on the fireplace will help avoid the noise created when the fireplace expands. This can be achieved by having the chimney supported by the supports. The maximum chimney length that should be supported by the fireplace is 9 ft. (2.75 m) for 2" Solid Pack Chimney and 12 ft. (3.7 m) for 1" Solid Pack Chimney.
6. The chimney must extend at least 3 ft. (92 cm) above its point of contact with the roof and at least 2 ft. (61 cm) higher than any wall, roof or building within 10 ft. (3.1 m) of it. See Figure 6.1a and 6.1b to determine the configuration that applies to your roof (flat or sloped roof and the distance between the chimney and the highest point of the roof and/or the nearest chimney).
7. Deviations should be avoided whenever possible, especially the most pronounced. Each deviation adds some restriction to the chimney system and may lead to draft problems.
8. If the chimney extends higher than 5 ft. (1.5 m) above its point of contact with the roof, it must be secured using a roof brace.
9. A rain cap must be installed on top of the chimney. Failure to install a rain cap may cause corrosion problems.
10. Cut and frame square holes in all floors, ceilings, and roof that the chimney will go through to provide a 2" (50 mm) minimum clearance between the chimney and any combustible materials. Do not fill this 2" space with insulation or any other combustible material.
11. Portions of the chimney which may extend through accessible spaces must be enclosed to avoid contact with combustible materials or damage the chimney.

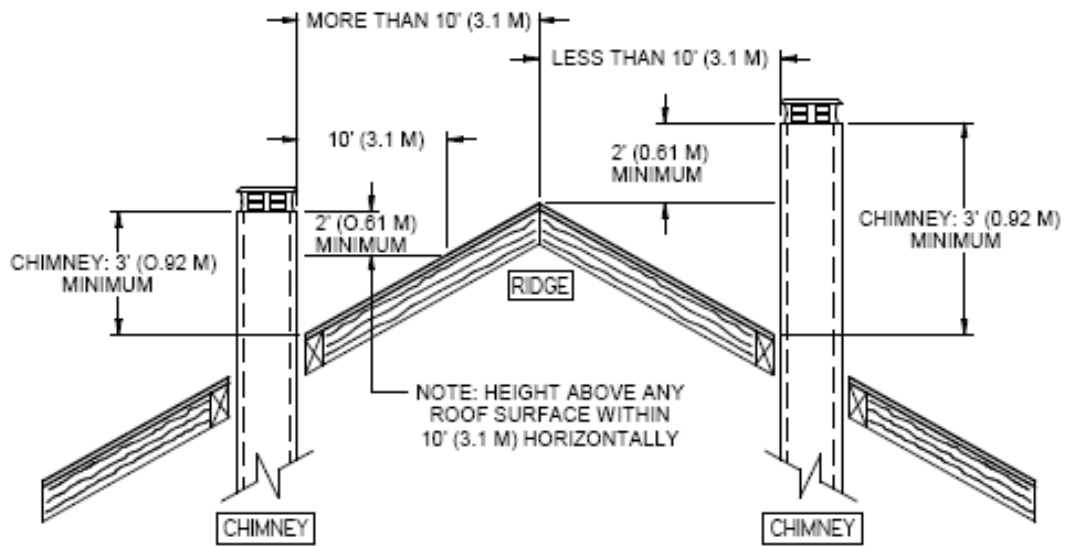


Figure 6.1a

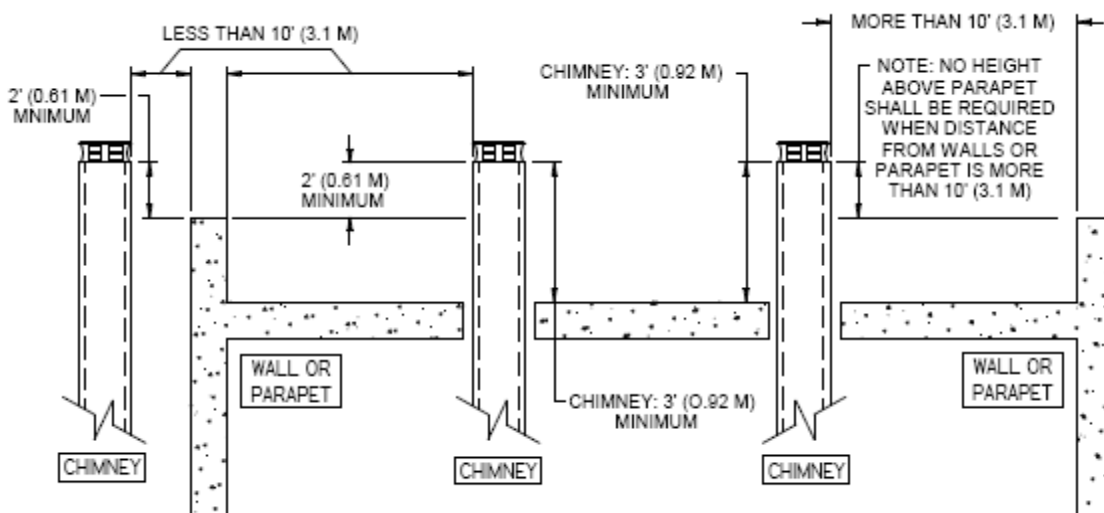


Figure 6.1b

12. When you build a chase enclosure for chimney sections above the roof, the chimney must extend at least 3 ft. (92 cm) above the chase enclosure and at least 2 ft. (61 cm) higher than any wall, roof or building within 10 ft. (3.1 m) of it. See Figure 6.1c and 6.1d to determine the configuration that applies to your roof (flat or sloped roof and the distance between the chimney and the highest point of the roof and/or the nearest chimney).

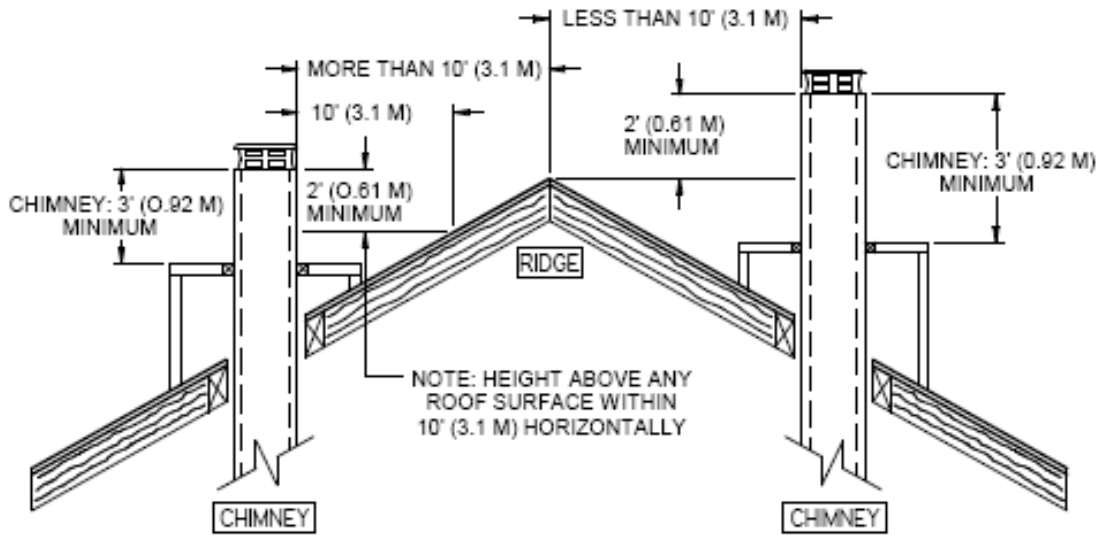


Figure 6.1c

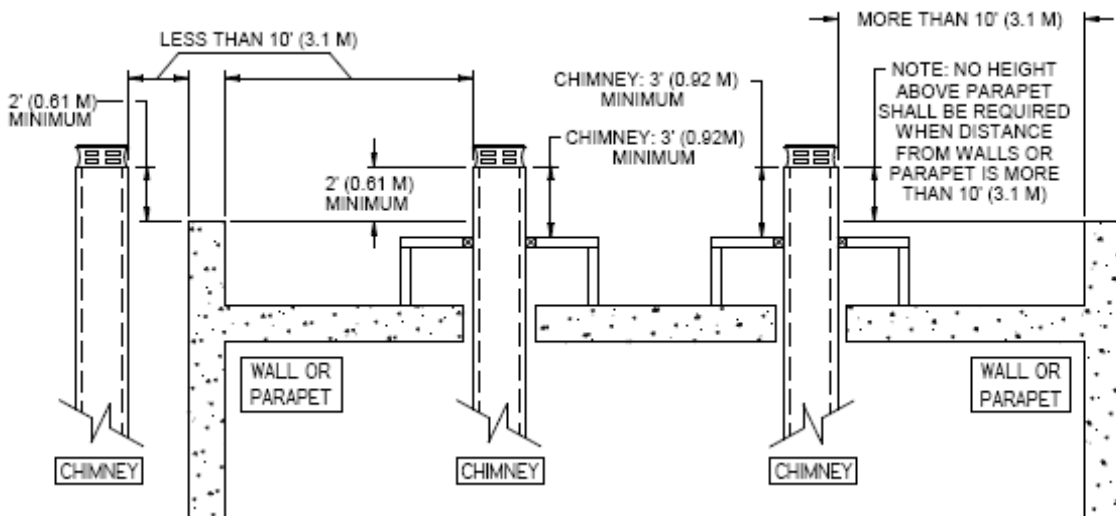


Figure 6.1d

INSTALLATION INSTRUCTIONS FOR MASONRY APPLICATION

WARNING: Before starting installation, the masonry chimney must be inspected by a qualified sweep.

The following requirements must be respected:

1. The chimney must be absolutely clear of any soot residue or creosote. Check for cracks, loose or missing bricks that could inhibit correct installation of the liner.
2. The clearance to combustible must be a minimum of 1” between the outside of the masonry and any wood framing or loose insulation.
3. The chimney must be built in accordance with the current building code.
4. No other appliance can be connected to the same chimney.
5. The connector parts are not necessary if the connection between the insulated length and the stainless steel liner is done within the masonry chimney.

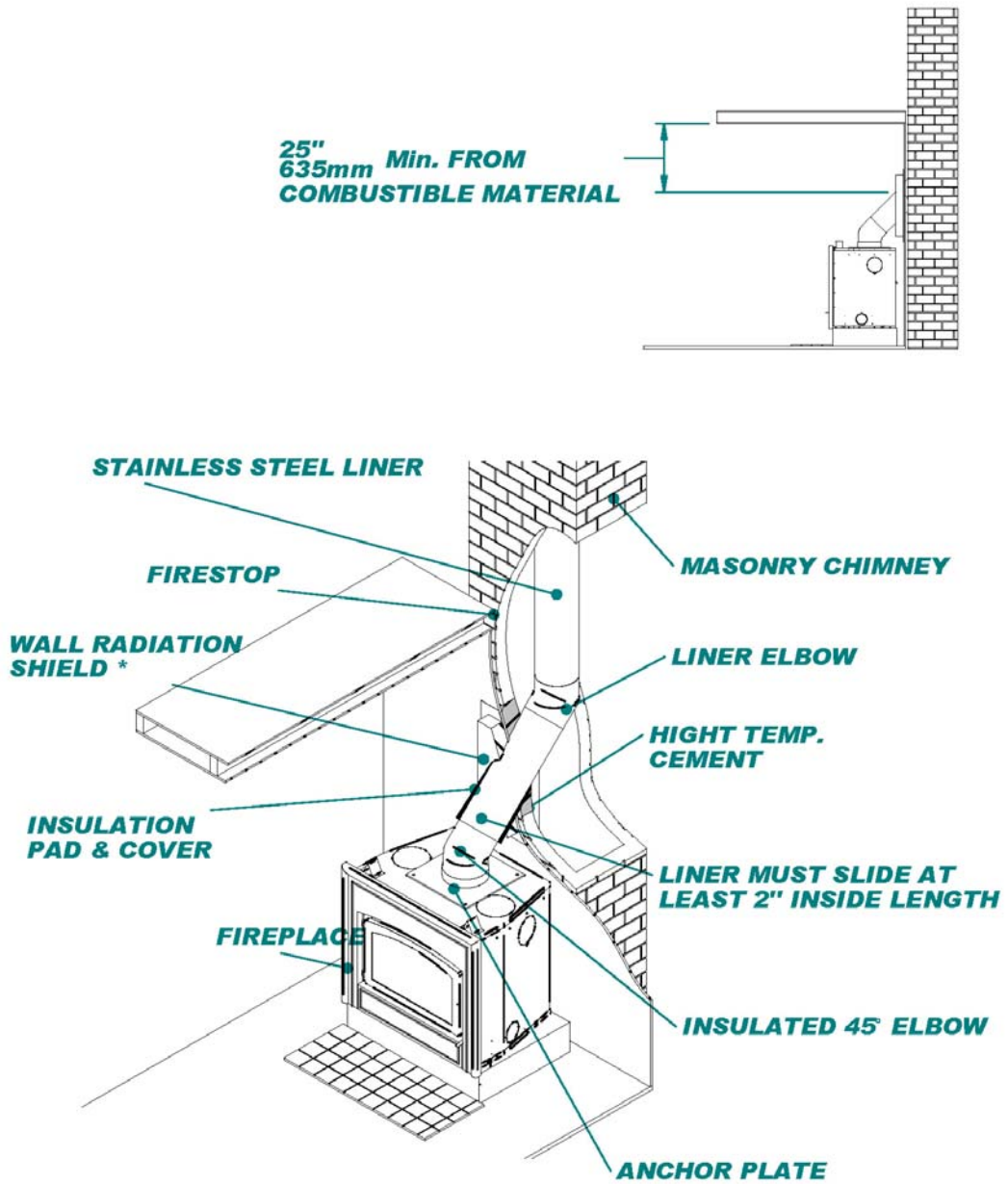
INSTALLATION

The chimney must be relined with a stainless steel liner or any other listed liner or flexible liner to ULC-S635, CAN/ULC-S640 or UL777 of the same diameter as the outlet of the fireplace.

Follow these steps:

1. Position the fireplace in its location. Temporarily install the chimney elbow on the top of the fireplace and, using a level, mark with an oval the location where the flue liner will enter the masonry chimney.
2. In the middle of the oval, drill a hole in the masonry chimney at 45 or 30.
3. Increase the size of the hole until a 45 or 30 liner elbow can be easily slipped through.
4. Slide the liner down from the top of the masonry chimney until you reach the hole level.
5. Slip through the hole a 45 or 30 liner elbow and connect it to the liner.
6. Add a small liner section to the liner elbow which will allow the liner to extend at least 12” (measured at the top of the liner) from the masonry chimney.
7. Seal the opening around the liner with high temperature refractory cement.
8. The next steps must be done in the following order:
 - 8.1 Select the chimney length that will fit between the elbow and the liner so that it will slide at least 2” over the liner section. (you may need to cut the liner for a better fit)
 - 8.2 Install the 45 or 30 elbow on the fireplace.
 - 8.3 Slide the length section back down on the elbow and twist lock the two together.
 - 8.4 Pull the cover down over the length and install the insulation pad over the liner; be careful to cover the liner completely.
 - 8.5 Slide back the cover over the insulation and fix it in place using the 3 screws supplied.

Figure #6.2: Masonry chimney installation



*** NEEDED IF THE CHIMNEY PASS THROUGH A COMBUSTIBLE WALL**

Figure #7: Straight Chimney Installation

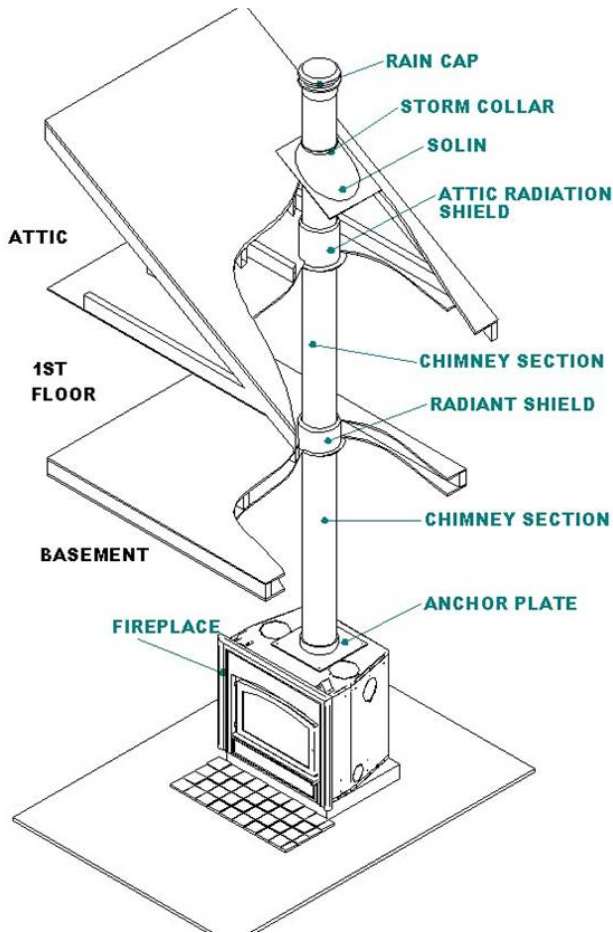


Figure #8: Chimney with Elbows Installation

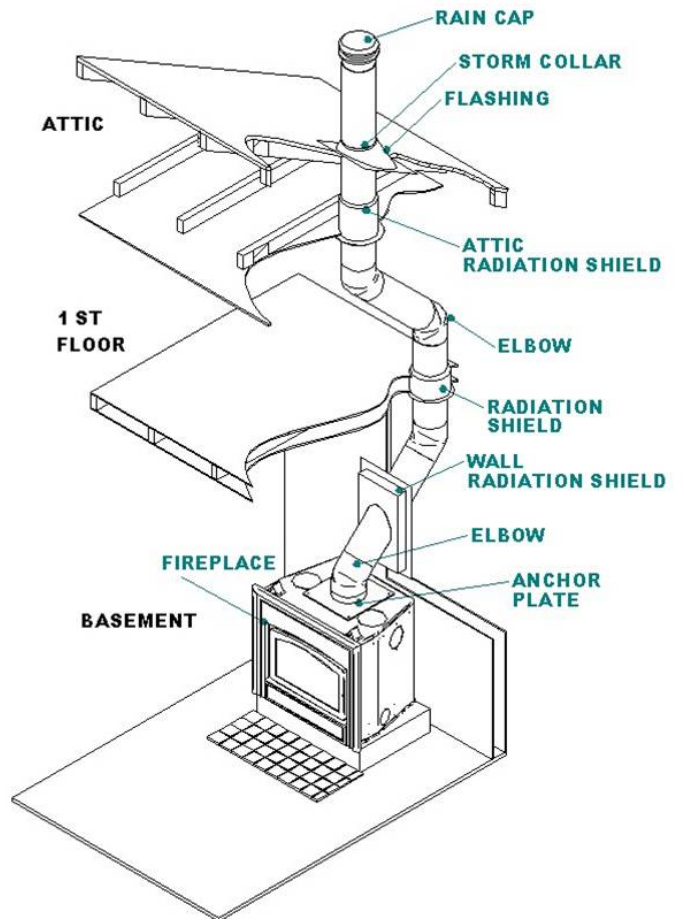


Figure #9: Exterior Chimney Installation

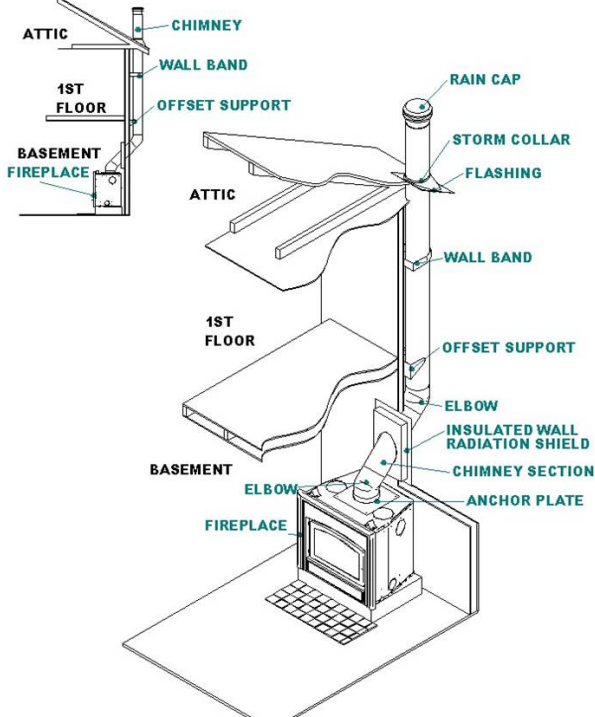
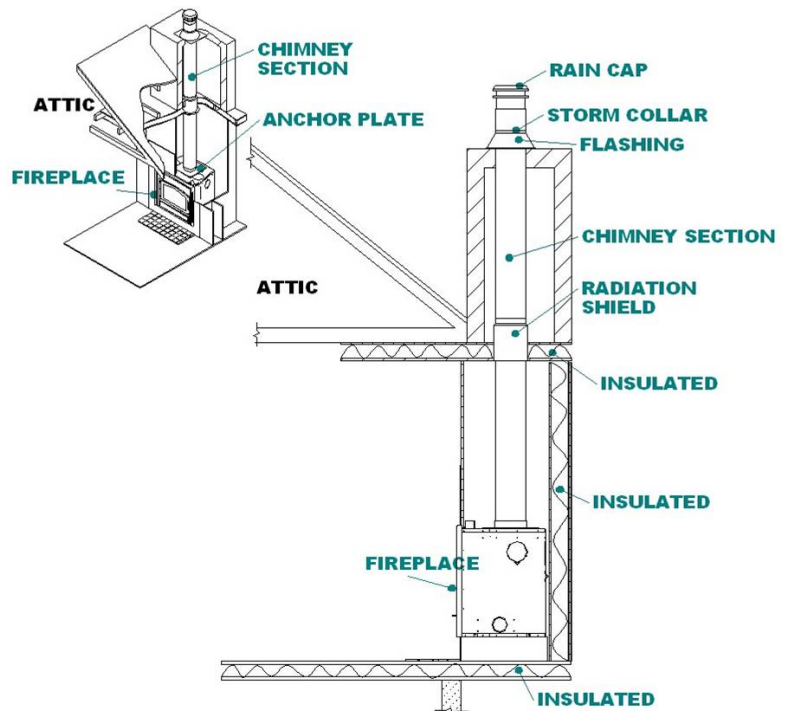


Figure #10: Isolated Chase Chimney Installation



FIREPLACE FINISH

1. Combustible materials can be used to finish the fireplace in the area shown in Figure 11. The framing can be built directly on the sides of the appliance.
2. No side wall of more than 6" (152 mm) wide at right angle with the face of the appliance can be closer than 4" (102 mm). (Figure #11)
3. Adjoining walls may also be built at a 45° angle from the edge of the face. However, any right angle wall must be located at least 12" (305 mm) away from the fireplace opening. (Figure #11)
4. The enclosure from the bottom of the fireplace to the ceiling must be at least 80" (2032 mm). **Do not insert insulation in the chimney enclosure.** (Figure #14)
5. Combustible materials must be installed parallel to the face and must not project behind. (Figure #13)
6. Never fill the enclosure space with insulation or any combustible material. If the fireplace is equipped with a gravity ventilation system, this space must be free of any combustible materials. (Figure #14)
7. If the mantel is made of combustible materials, it must be installed at a height of at least 50" (1270 mm) from the base of the fireplace. (Figure #12)
8. The top portion of the wall just above the fireplace must be made of 12" (305 mm) non combustible material (Durock) (Figure #13). If finishing material are used within 12'', they must be non-combustible.
9. The fireplace must be raised minimum 2" (51 mm) above the floor. (Figure #12)

WARNING: Make sure nothing obstructs or interferes with the front hot air outlets, to cover the front hot air outlets it is mandatory to install gravity distribution kit. Any accessible chimney must be fenced off or finished to prevent contact. (Figure #14)

Figure #11: Fireplace Finishing

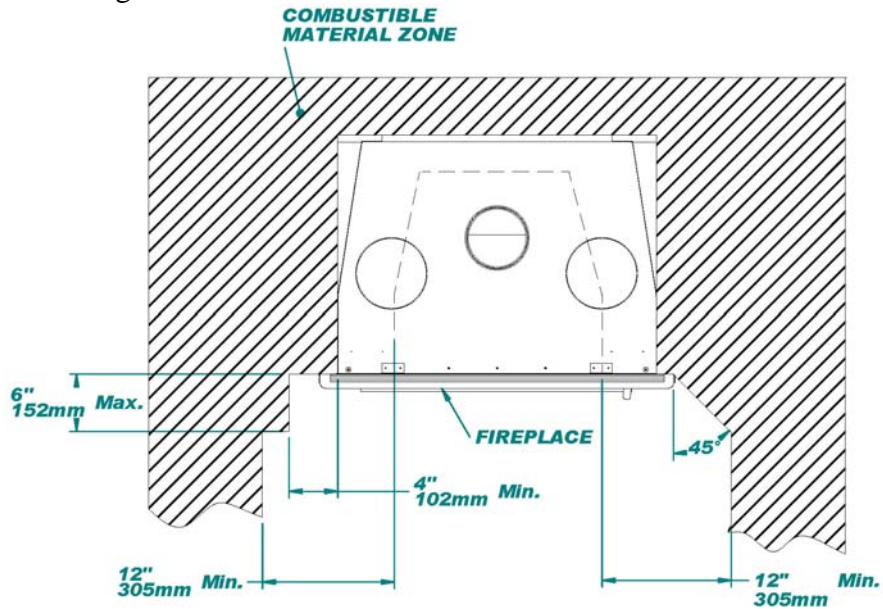


Figure #12a : Mantel Positioning

MANTEL POSITIONING	
MANTEL DIMENSION	MANTEL POSITION
6" 152 mm	50" 1270 mm
8" 203 mm	52" 1321 mm
10" 254 mm	54" 1372 mm
12" 305 mm	56" 1423 mm

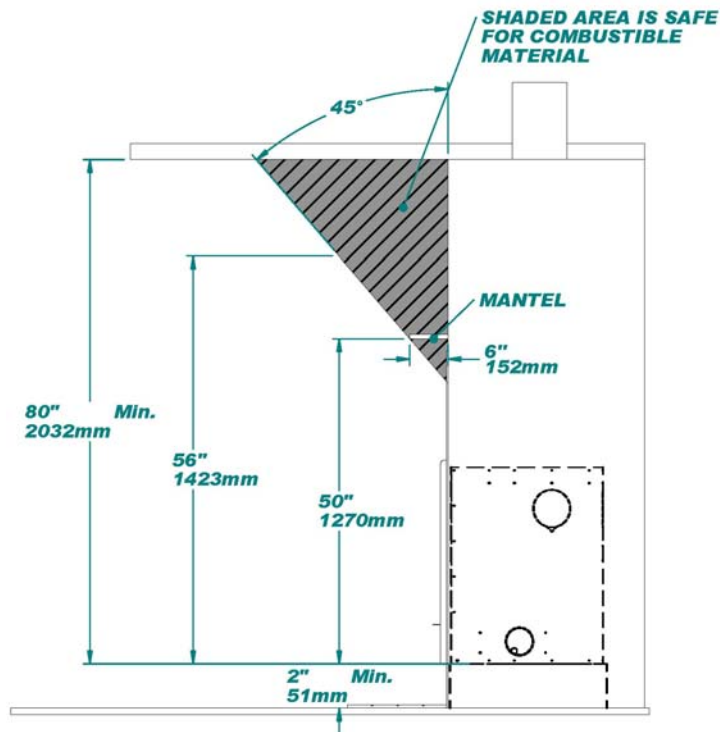


Figure 12b : Combustible material positioning

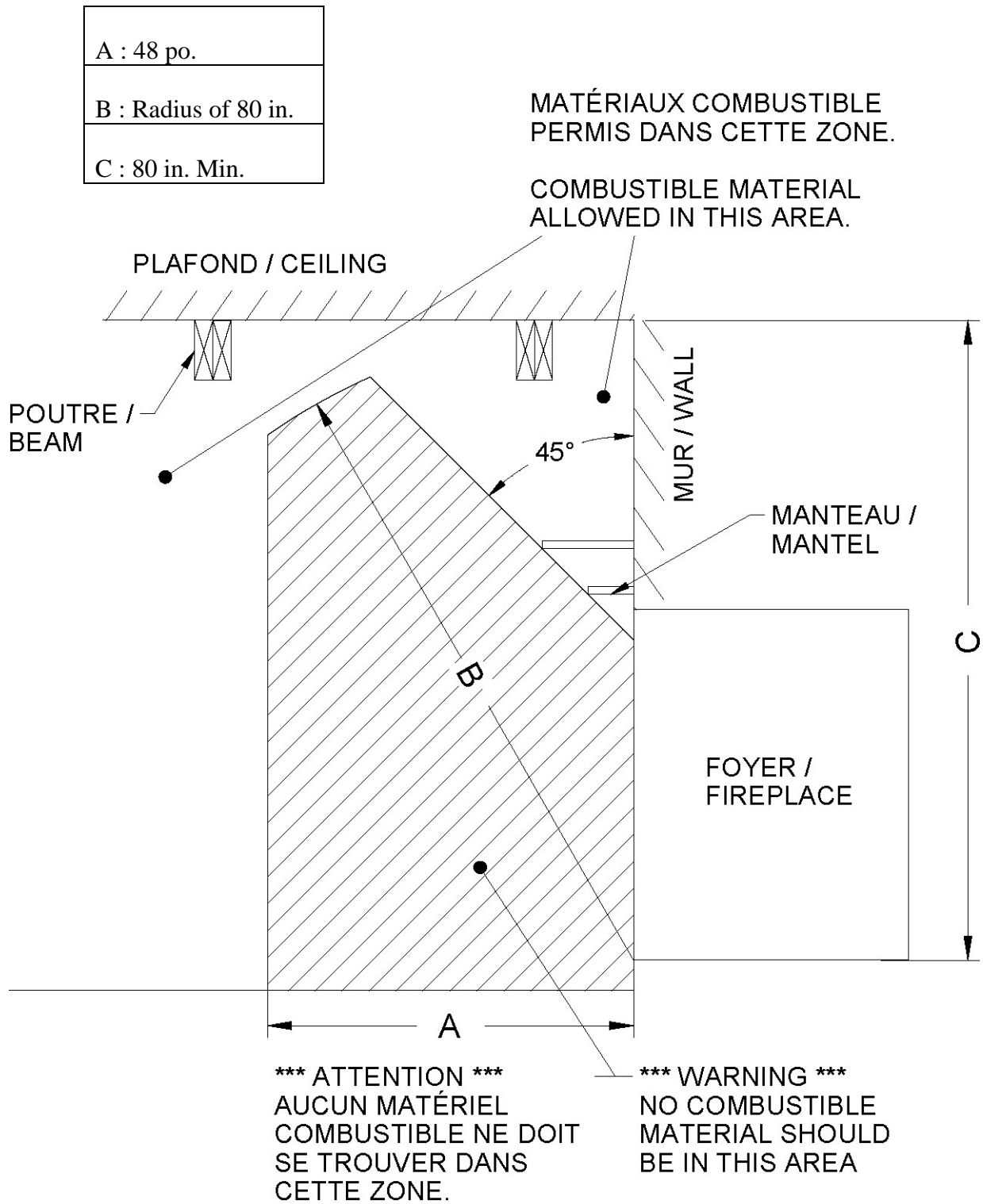


Figure #13: Installation of Combustible and Non-Combustible Materials

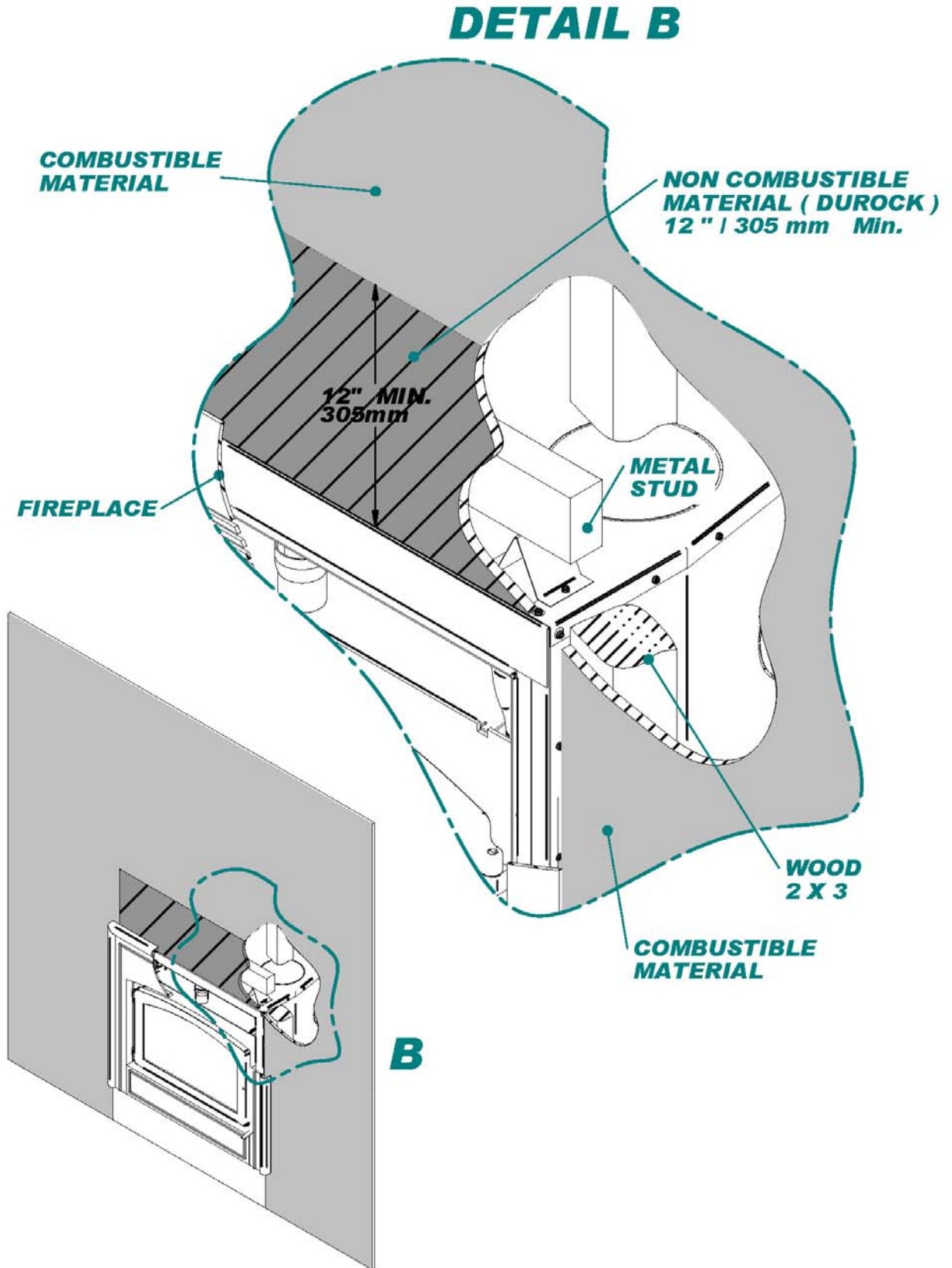
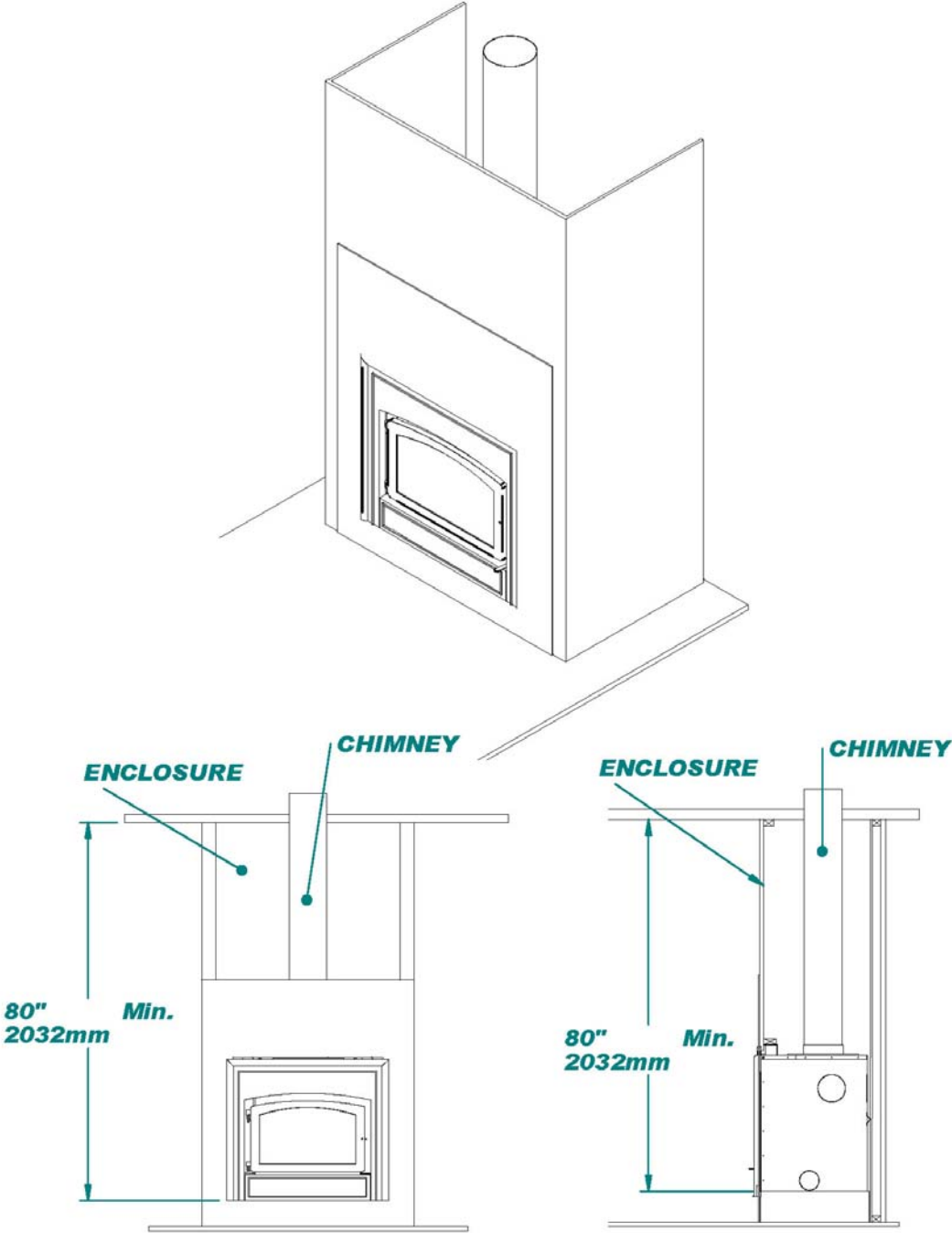


Figure #14: Chimney Enclosure



USE AND SAFETY

1. Teach children fireplace safety rules.
2. Do not use the fireplace under the following conditions:
 - 2.1 Whenever a Refractory brick is missing or broken.
 - 2.2 Whenever the ceramic glass is cracked or broken.
3. Never use flammable liquids to light or revive a fire and keep such products away from any heat source. Before lighting a fire, make sure there are no flammable liquids, gases or fumes in the room.
4. When lighting the fire, adjust the air intake control (located at the bottom right of the fireplace) to its maximum position. Do not leave the damper control in **MAX** position more than 30 minutes while the fire is burning.
5. Prevent smoke flow reversal by preheating the chimney flue. Just hold a torch made of rolled up newspaper towards the smoke chamber for a few minutes.
6. Valcourt fireplaces are designed to burn reasonable quantities of wood. Avoid making overly intense fires that would damage the appliance. Do not burn garbage, painted wood or wood that has been exposed to salt water.

DO NOT OVERHEAT

7. When using the fireplace for the first couple of times, make small fires to give the refractory brick time to dry properly. The appearance of fine cracks in the refractory brick is normal and therefore not hazardous. It is not cause for concern.
8. During the first fire, you may detect a certain odor and the coating and oil protecting certain appliance parts may smoke a little. If you open a window, these will quickly dispel.
9. To light a fire, place balled-up newspaper in the combustion chamber. Crisscross kindling wood over the newspaper, taking care to leave air space between the sticks. Adjust the air intake control to its maximum position. Finally, light the newspaper. Once it is well lit, close the doors leaving a ½” (12.5 mm) opening until the kindling is burning well. To sustain a nice fire, you should maintain a bed of burning embers.
10. Add larger pieces of wood, crisscross wood over the burning embers leaving air space between. Once the fire is burning brightly, place 2 or 3 logs and close the doors slowly. Leave the air intake damper completely open long enough to sustain combustion (maximum of 30 minutes).
11. If you close the doors too quickly, the temperature of the fireplace will reduce and consequently the fire’s intensity will diminish.
12. Leave the air intake damper in maximum open position until the logs are burning brightly. Do not keep feeding the fire with softwood kindling and construction waste wood, because these would produce a very hot fire that may damage the combustion chamber.
13. Expansion and contraction noises during the heating and cooling cycle are normal. They are caused by the normal expansion of fireplace components.,

THE USE OF MANUFACTURED LOGS

There are numerous types of manufactured logs sold on the market. You must be very careful with this type of product. Many brands of manufactured logs contain chemical additives. **DO NOT BURN ANY MANUFACTURED LOGS CONTAINING CHEMICAL ADDITIVES. IF YOU DO, YOU MAY OVERHEAT YOUR FIREPLACE, THEREFORE CAUSING A FIRE HAZARD AND VOIDING YOUR WARRANTY.** Manufactured logs made of 100% wood residues do not pose a threat to your fireplace. However, they must be used carefully. Manufactured logs typically release a much larger heat output over a short period of time. Therefore, you cannot place a large quantity of such logs into your fireplace. Start with one log and see how the fireplace reacts. You can increase the number of logs burned at a time to a maximum of three. Burning more than three manufactured logs at one time can overheat and damage your stove.

CREOSOTE

When wood is burned slowly without a flame, it produces tar and other organic vapours which combine with expelled moisture to form creosote. The creosote vapors condense in ; the relatively cool chimney flue of a slow-burning fire. As a result, creosote residue accumulates on the flue lining. When ignited this creosote makes an extremely hot fire.

The chimney shall be inspected at least twice a year during the heating season to determine when a creosote build-up has occurred.

When creosote has accumulated it shall be removed to reduce the risk of a chimney fire.

CHIMNEY FIRE SAFETY PROCEDURES

Regular chimney maintenance and inspection can prevent chimney fires. If you have a chimney fire, follow these steps:

1. Close the fireplace door and the combustion air controls;
2. Alert your family of the possible danger;
3. If you require assistance, alert your fire department;
4. If possible, use a dry chemical fire extinguisher, baking soda or sand to control the fire. Do not use water as it may cause a dangerous steam explosion;
5. Check outside to ensure that sparks and hot embers coming out of the chimney are not igniting the roof;
6. Do not use the fireplace again until your chimney and fireplace have been inspected by a qualified chimney sweep or a Fire Department Inspector;

FEEDING AND CONTROLLING COMBUSTION

Once the wood has been consumed (or partially consumed) and you have obtained a good bed of embers, you should reload the unit. In order to do so, open the air control to its maximum for approximately 15 seconds prior to opening the fireplace door. Then, proceed by opening the door very slowly. Open it by 2" to 4" (52 to 104 mm) for 10 seconds before opening it completely. This procedure will increase the draft and thus eliminate the smoke which is stagnant in a state of slow combustion in the fireplace. Then, bring the red embers to the front of the stove and reload the unit.

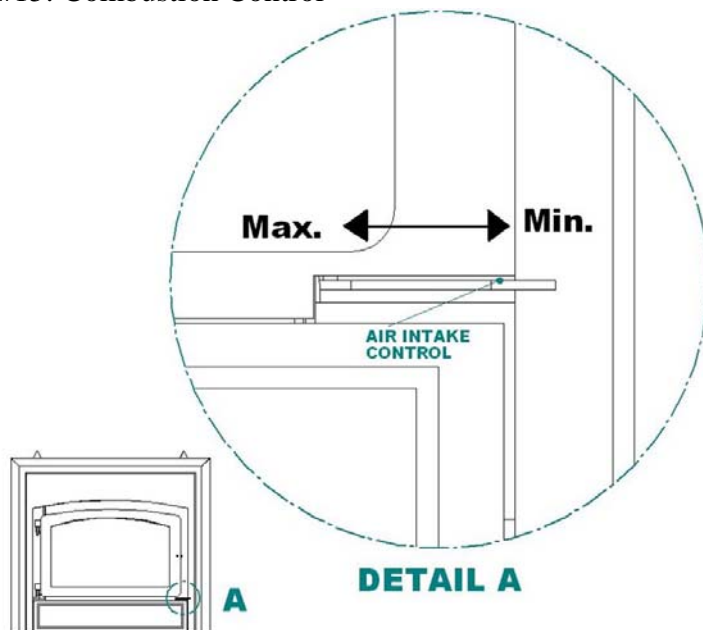
Your Saguenay fireplace will work best if a thick bed of hot embers is maintained in the bottom of the firebox, and a minimum of two large pieces of seasoned fuel are added. Combustion efficiency is largely related to establishing a hot ember bed, and hot firebox temperatures. The quicker the fireplace and chimney (flue) get up to normal operating temperatures, the better. A small intense fire is preferred to a large smouldering fire, both to improve combustion efficiency and to reduce the amount of creosote build-up. The best performance will be obtained by adding relatively small amounts of fuel to a well established ember bed, and then operating with the air inlet control open long enough to achieve a hot fire. Use a poker to make an air channel in the embers below the wood. This will allow air to flow under the wood for a more efficient burn. Once you have reached the desired temperature, the primary air can be set to a medium setting. You know you have reached the desired temperature when, closing the primary air control, you can see a flame at the top of the firebox. The benefit of this technique will be cleaner glass, less creosoting, greater efficiency and the most pleasing fire for your enjoyment.

In order to achieve an optimum efficiency from your unit, we suggest that you operate it with the air control completely closed. Make sure that you have a good fire going and an adequate ember bed before you completely close the air control. Closing the air control too soon will lower combustion efficiency and may cause the fire to die out. The addition of a blower (if not already included) is highly recommended to maximize your unit's efficiency.

Maximum Air Intake

Maximum heat is produced when the air intake damper is opened to its maximum. This combustion method will yield up to 65,000 BTU/h. However, the fire will need to be fed more often. Indeed, you will have to add logs every 1 or 2 hours. If the air intake damper remains in the maximum position too long, certain parts of the fireplace may become red-hot. This may cause permanent damage to the appliance or result in a chimney fire.

Figure #15: Combustion Control



Medium Air Intake

This is the recommended combustion method that should be normally used. It leaves little creosote on the glass doors and in the flue. The exact position of the air intake damper depends on a number of factors, including the flue's configuration and the percentage of humidity in the wood. Three average-sized logs on a bed of embers should take 3 to 4 hours to burn before more wood must be added to sustain the fire. Combustion time will be shorter with softwood.

Minimum Air Intake

Burning wood with the air intake damper in the minimum open position maximizes combustion time, therefore, making it necessary to refuel only every 6 to 8 hours. Decreasing air intake will not put the fire out but it will substantially reduce its intensity, and the creosote produced by the smoldering fire may blacken the glass doors. For the fire to burn brightly and cleanly, you must leave the air intake damper wide open for at least 30 minutes before reducing it to the minimum intake position.

Minimum air intake combustion is suitable for overnight use of the fireplace, since the wood will take longer to burn and the fire will not need to be fed so often. It must be noted however that the fire will produce less heat. While this method will save wood, it creates more creosote in the flue and thus requires more frequent chimney inspections and cleaning. Note that, if the fireplace is adequately heated before reducing the air intake it will produce almost no creosote.

AIR INTAKE ADJUSTMENT	BURN TIME
MAXIMUM	1 to 2 hours
MEDIUM	3 to 4 hours
MINIMUM	6 to 8 hours

SOLUTIONS TO THE MOST COMMON PROBLEMS

Difficulty starting the fire: Use more paper and dry kindling. The ideal size for kindling is approximately 1" x 1" (2.5 cm x 2.5 cm). Also make sure that the size of the flue and the air intake duct is adequate, the flue and air duct are not obstructed and the air supply is sufficient to sustain combustion.

Low heat production: It is possible the fireplace door was closed prematurely and that the fire lacks air to reach its optimal temperature. Reopen the door and the air intake damper to enable the fire to regain intensity. Overly damp or wet wood gives off less heat than dry wood. Hissing during a fire is a good indication of excessive dampness.

MAINTENANCE

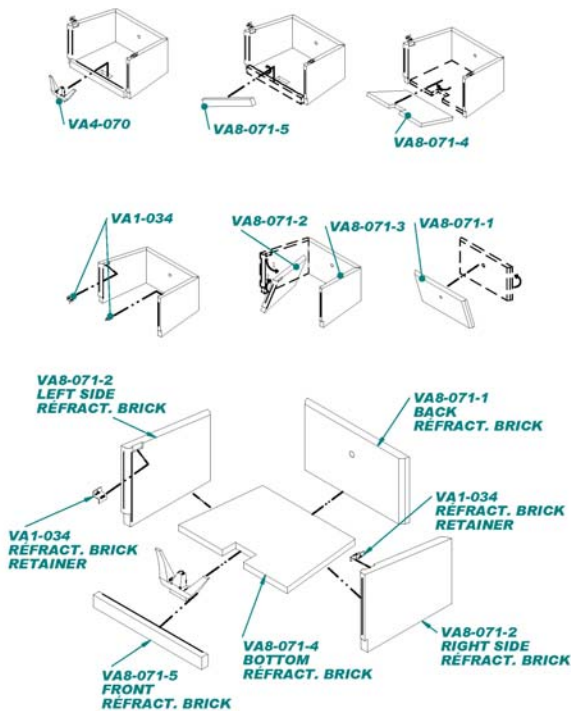
GLASS AND METAL PLATING

The Saguenay fireplace is designed to keep the glass clean under normal operating conditions. If the Saguenay fireplace is operated continuously with the combustion air controls closed, the glass will tend to get dirty unless the fuel, firebox and glass are maintained at hot. To clean the glass, there are a number of specially designed cleaners. Your authorized Valcourt dealer can recommend a suitable cleaner which is available in your area. Regular household glass cleaners will not clean creosote. Do not use abrasives such as steel pads, steel wool or oven cleaner as they will scratch the glass. Only wash when the stove is cold.

Use a glass cleaner and a soft cloth to polish the plated finish on the door frame. Do not use abrasives such as steel wool, steel pads or an abrasive polish for they may scratch the finish.

REPLACING REFRACTORY BRICKS

Figure #16: Replacing Refractory Bricks

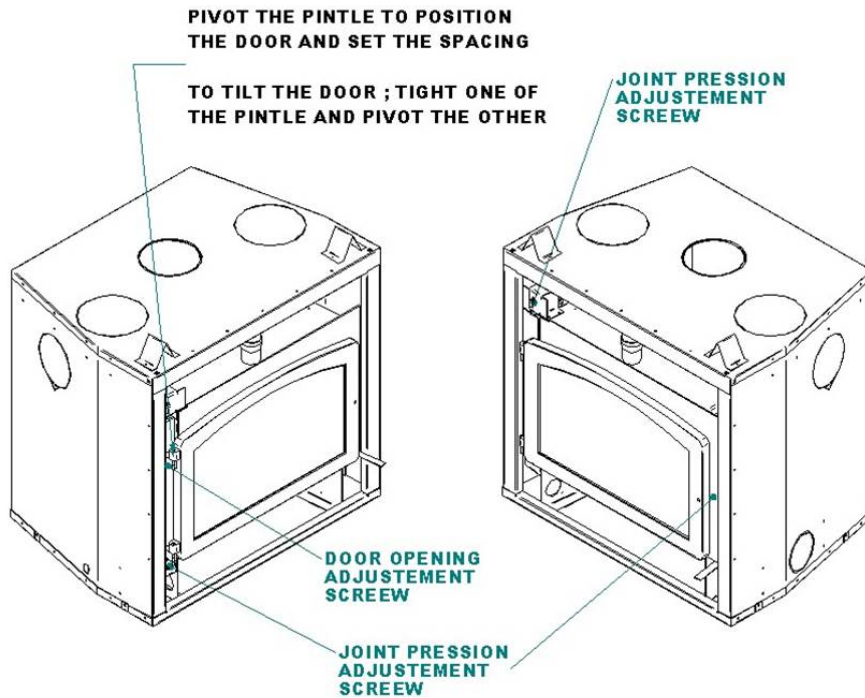


How to replace the refractory panels :

1. Remove the log support (VA4-070) by unscrewing the two anchoring bolts.
2. Remove the front refractory brick (VA8-071-5).
3. Remove the floor refractory brick (VA8-071-4).
4. Unscrew the refractory bricks attachments (VA1-034).
5. Remove the refractory brick (VA8-071-2 and VA8-071-3).
6. Remove the back refractory brick (VA8-071-1).
7. To reinstall the replacement refractory brick, just follow the steps in reverse. (Figure #16)

DOOR INSTALLATION AND ALIGNMENT

Figure #17: Door Adjustment



To install the cast-iron door, place it on their pintles and make sure the door closes tightly.

To adjust door positioning and spacing, loosen the pintle screw and pivot the pintle until the door is in the correct position. To tilt the door, lock in place one of the two pintles and pivot the other. The door will tilt to one side or the other depending on the direction the pintle is pivoted. For the door to be straight, both pintles must be aligned along the same axis.

If the pintles of the door are misaligned, it will tilt. It is therefore recommended to align it. Once the ideal position has been achieved, lock the pintles in place by tightening the pintle screws.

Adjust the pressure on the gasket using the centre adjustment screw located at the right of the combustion chamber. Two more screws are located on the left side to adjust the pressure of the gasket. To check the pressure applied, place a slip of paper between the door and the face, and pull gently. You should feel a slight resistance.

GASKET REPLACEMENT

1. Remove the door and lay it on a clean, smooth surface.
2. Remove the old gaskets and glue. Make sure the surface is absolutely clean before applying new glue to ensure optimal gasket bond.
3. Apply glue in the grooves.
4. Insert the new gaskets.
5. Wait at least four hours before using the fireplace.

Dimension	Length	Quantity
Round 6 mm (5/8")	1676 mm (66")	1
Flat 19 mm x 3mm (3/4" x 1/8")	1753 mm (69")	1

TROUBLESHOOTING

Expansion and contraction noises during the heating and cooling cycle are normal. Prevent smoke flow reversal by positioning air intake lever to maximum, slowly open the fireplace door before lighting the kindling, make a torch by lighting rolled up newspaper and hold it out to the smoke chamber until you feel the chimney begin to draw.

A properly installed Saguenay Fireplace should never smoke. If it does, it will probably be for one of the following reasons:

1. The chimney's outdoor installation is defective or incorrect, creating draft reversal problems and, consequently, making it difficult to start a fire.
2. The chimney was not adequately preheated. Remember that the hotter the fireplace, the better the chimney draws.
3. The fireplace door or the air intake damper was closed too quickly. Adequate air supply is essential to sustaining combustion.
4. If the room is too airtight or negative pressure has built in the house and there is no outside air intake, air supply to the fireplace will be lower than usual. Temporarily open a window near the fireplace to increase air supply.
5. Any type of exhaust fan (range hood or bathroom exhaust fan) can create negative pressure. Shut off the fan and/or open a window near the fireplace to solve this problem.
6. Wet wood smokes more than dry wood. The wetter the wood, the less heat it generates and the more creosote it produces. If the wood being burned is very wet, inspect the chimney every month it is used.
7. Make sure the chimney is reasonably clean and unobstructed.
8. Check whether the chimney is the recommended height: minimum of 3' (914 mm) from the roof joint. If not, add more lengths of flue. This will improve draw and reduce the fireplace's tendency to smoke.
9. Fireplaces with chimneys abutting an unfinished outside wall often tend to smoke and are difficult to light. To prevent these problems, open a window near the fireplace and preheat the chimney by holding a newspaper torch in the upper part of the combustion chamber. Wait long enough to establish effective draw, then light the fire.
10. Always remove excess ashes before lighting a fire. Maintaining a 1" (2.5 mm) thickness of ashes optimizes combustion and maximizes fire duration.
11. Continuous combustion with minimal air intake will quickly dirty the fireplace's glass surface and keep the combustion chamber's temperature relatively low. To keep the glass clean, maintain a brightly burning fire as much as possible. Medium-sized logs are more effective than large ones. The intensity of combustion is directly proportionate to air intake. It is therefore advisable to adjust the damper in such a way as to obtain optimal performance.
12. Use only dry wood, i.e. wood that has dried for one year (10% to 20% humidity). Very dry wood will burn very well, but will generate a great deal of heat and will not last.

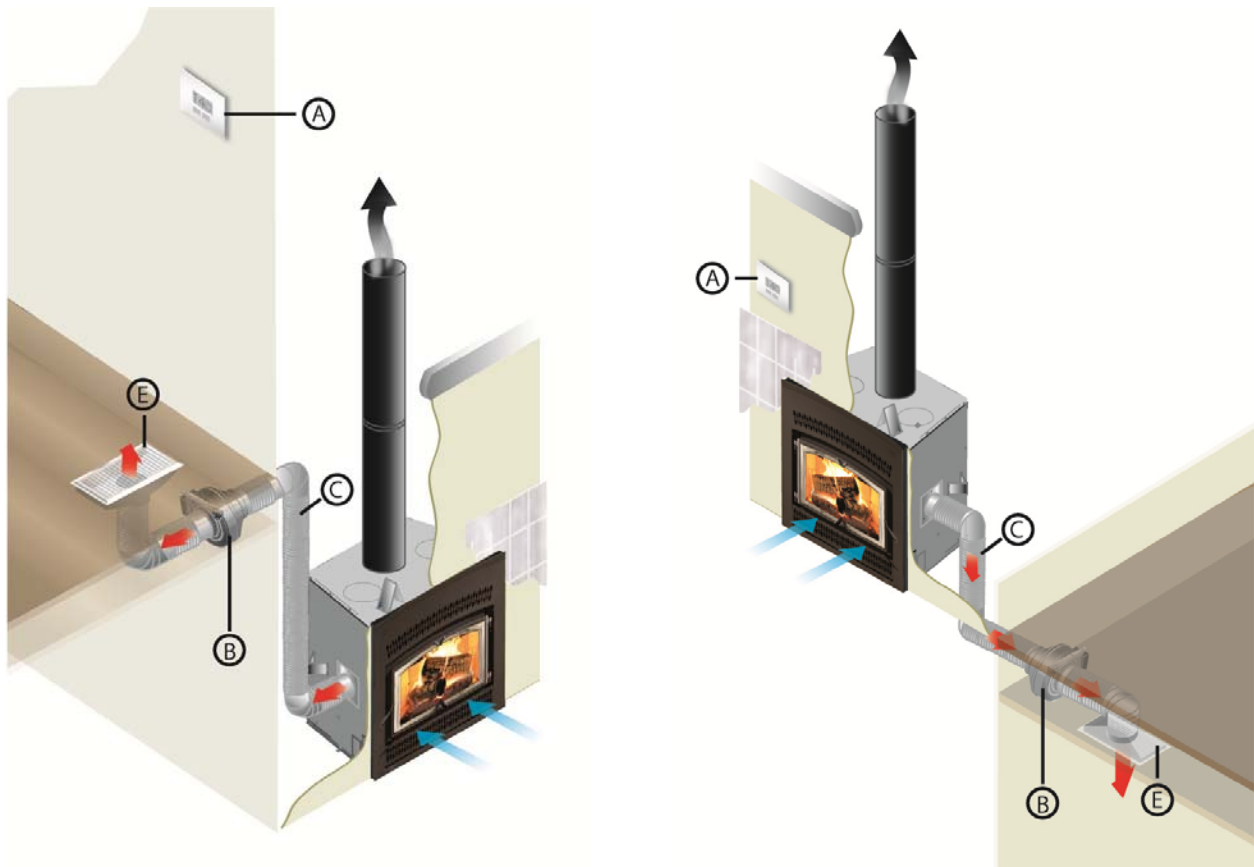
HEAT DISTRIBUTION SYSTEMS

EPA certified wood fireplaces generate a lot of heat. For the most part, they generate too much for the room where they are located. Therefore, you need to manage the excess heat and send it where it is needed. To provide a solution, our research and development laboratory has designed the Heat Management System, an innovative technology that allows the recovery of the heat produced during combustion and redirects it into distribution ducts to heat other areas in your home.

FORCED AIR DISTRIBUTION KIT

This system allows you to manage the heat distribution automatically. Using a wall thermostat, you can select the temperature you want to maintain in the room where the fireplace is located. Once the thermostat is satisfied, the excess heat is redirected to another room up to 50 feet (15 m) away from the fireplace using a 350 CFM blower. That way, you can enjoy a nice fire in your living room without the discomfort of excess heat generated by your Valcourt fireplace.

The installation instructions are provided with the Forced Air Distribution Kit **VA4460**, sold separately.

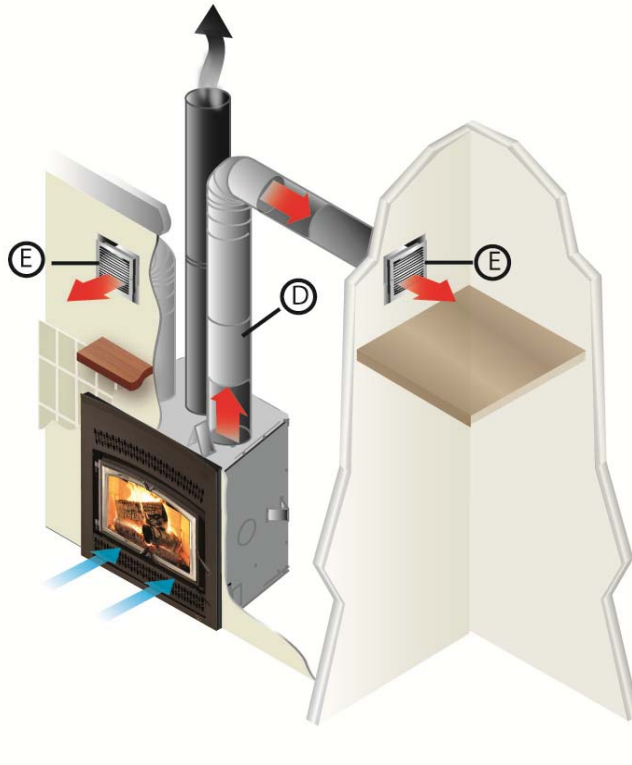


A) Wall thermostat B) 350 CFM blower C) Hot air flexible pipe E) Air register

GRAVITY DISTRIBUTION KIT

The Gravity Distribution Kit allows you to block the upper fireplace louver in order to bring hot air into the same room as the fireplace, in adjacent rooms, or upstairs at a maximum distance of 10' (3 m). The minimum height of the hot air duct must be 68" (1.7 m) measured from the floor to the top of the hot air register.

The installation instructions are provided with the Gravity Distribution Kit **VA430006**, sold separately.



D) Hot air rigid pipe E) Air register

VALCOURT LIMITED LIFETIME WARRANTY

The warranty of the manufacturer extends only to the original consumer purchaser and is not transferable. This warranty covers brand new products only, which have not been altered, modified nor repaired since shipment from factory. Products covered under this warranty must have been manufactured after the revision date indicated below. Proof of purchase (dated bill of sale), model name and serial number must be supplied when making any warranty claim to your VALCOURT dealer.

This warranty applies to normal residential use only. Damages caused by misuse, abuse, improper installation, lack of maintenance, over firing, negligence or accident during transportation, power failures, downdrafts, or venting problems are not covered by this warranty.

This warranty does not cover any scratch, corrosion, distortion, or discoloration. Any defect or damage caused by the use of unauthorized parts or others than original parts void this warranty. An authorized qualified technician must perform the installation in accordance with the instructions supplied with this product and all local and national building codes. Any service call related to an improper installation is not covered by this warranty.

The manufacturer may require that defective products be returned or that digital pictures be provided to support the claim. Returned products are to be shipped prepaid to the manufacturer for investigation. If a product is found to be defective, the manufacturer will repair or replace such defect. Transportation fees to ship the product back to the purchaser will be paid by the manufacturer. Repair work covered by the warranty, executed at the purchaser's domicile by an authorized qualified technician requires the prior approval of the manufacturer. Labour cost and repair work to the account of the manufacturer are based on predetermined rate schedule and must not exceed the wholesale price of the replacement part. All parts and labour costs covered by this warranty are limited according to the table below.

The manufacturer at its discretion may decide to repair or replace any part or unit after inspection and investigation of the defect. The manufacturer may, at its discretion, fully discharge all obligations with respect to this warranty by refunding the wholesale price of any warranted but defective parts. The manufacturer shall in no event be responsible for any special, indirect, consequential damages of any nature, which are in excess of the original purchase price of the product. A one-time replacement limit applies to all parts benefiting from a lifetime coverage. This warranty applies to products purchased after October 1st, 2011.

DESCRIPTION	WARRANTY APPLICATION	
	PARTS	LABOUR
Combustion chamber (welds only), castings, convector air-mate, ceramic glass (thermal breakage only*), and secondary air tubes*.	Lifetime	4 years
Plating* (defective manufacture) – subject to limitations above.	Lifetime	n/a
Stainless steel firebox components, surrounds and heat shields, ash drawer, steel legs, pedestal, trims (aluminum extrusions), C-Cast baffle*, and vermiculite baffle*.	5 years	3 years
Carbon steel firebox components, glass retainers, and handle assembly.	3 years	2 years
Blowers, heat sensors, switches, rheostat, wiring, and other controls.	2 years	1 year
Paint (peeling), gaskets, insulation, firebrick, and ceramic fibre blankets.	1 year	n/a

**Pictures required*

Shall your unit or a components be defective, contact immediately your **VALCOURT** dealer. Prior to your call make sure you have the following information necessary to your warranty claim treatment:

- Your name, address and telephone number;
- Bill of sale and dealer's name;
- Serial number and model name as indicated on the nameplate fixed to the back of your unit;
- Nature of the defect and any relevant information.

Before shipping your unit or defective component to our plant, you must obtain from your VALCOURT dealer an Authorization Number. Any merchandise shipped to our plant without authorization will be refused automatically and returned to sender.