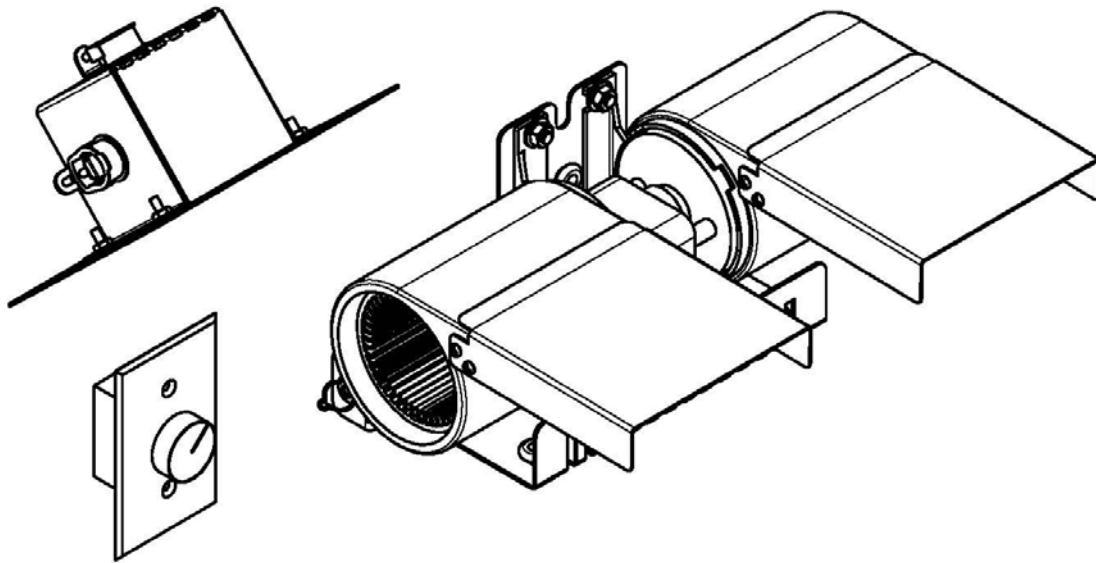




Blower for hot air gravity distribution kit - modern style with adjustable pipes (AC01389)

AC01387 (240v) or AC01388 (120v)

INSTALLATION INSTRUCTIONS

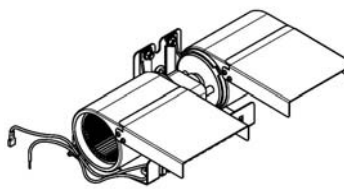
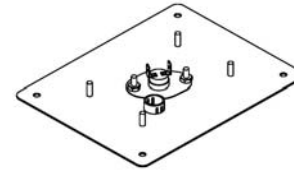
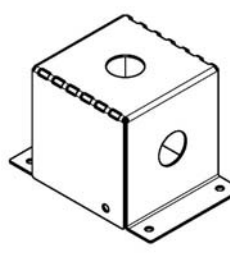



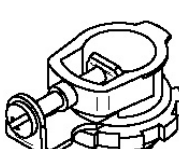
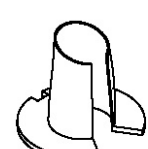


THE BLOWER IS AN OPTION TO THE HOT AIR GRAVITY DISTRIBUTION KIT - MODERN STYLE WITH ADJUSTABLE PIPES (AC01389).

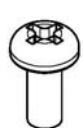

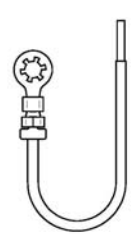
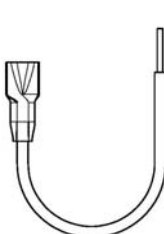




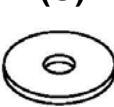
This manual is available for free download on the manufacturer's web site. It is a copyrighted document. Re-sale is strictly prohibited. The manufacturer may update this manual from time to time and cannot be responsible for problems, injuries, or damages arising out of the use of information contained in any manual obtained from unauthorized sources.

This assembly contains the following parts:

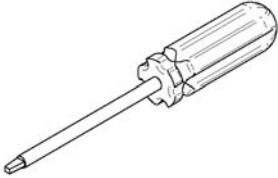
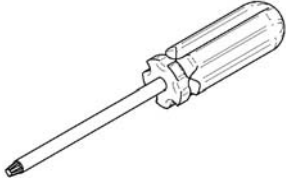
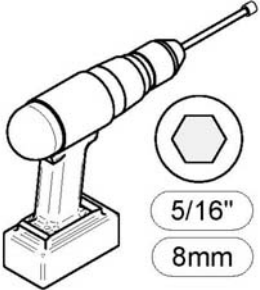
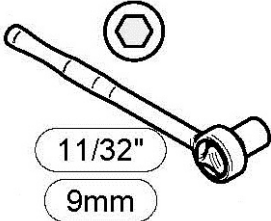
<p style="text-align: center;">(A)</p> 	<p style="text-align: center;">(B)</p> 	<p style="text-align: center;">(C)</p> 	<p style="text-align: center;">(D)</p> 
1x	1x	1x	1x

<p style="text-align: center;">(E)</p> 	<p style="text-align: center;">(F)</p> 	<p style="text-align: center;">(G)</p> 	<p style="text-align: center;">(H)</p> 
2x	2x	1x	1x

<p style="text-align: center;">(I)</p> 	<p style="text-align: center;">(J)</p> 	<p style="text-align: center;">(K)</p> 	<p style="text-align: center;">(L)</p> 
1x	5x	1x	1x

<p style="text-align: center;">(M)</p> 	<p style="text-align: center;">(N)</p> 	<p style="text-align: center;">(O)</p> 
4x	1x	1x

Tools required for the installation:

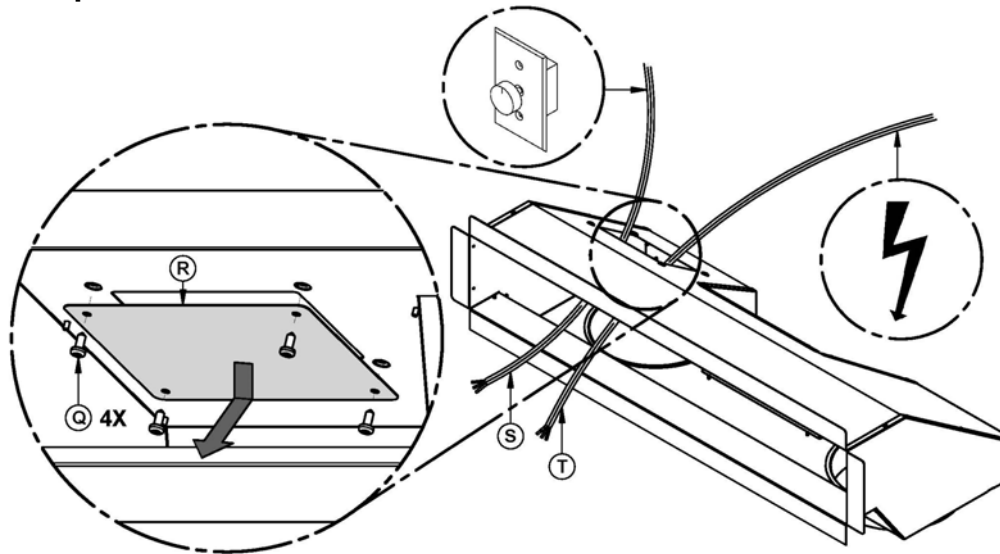
		
<p>Robertson #2 screwdriver</p>	<p>Phillips screwdriver</p>	<p>Power-driver with 5/16" (8 mm) hex head</p>
		
<p>Ratchet with 11/32" (9 mm) hex head</p>		

BLOWER OPTION INSTALLATION

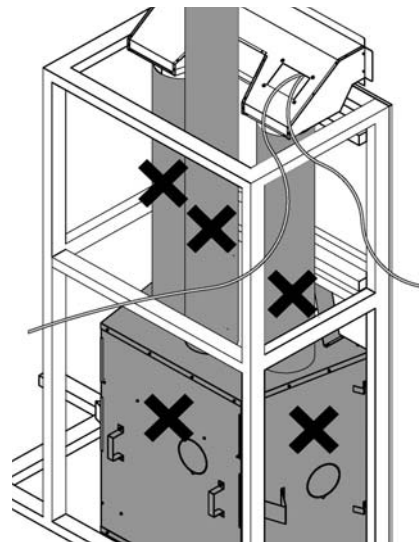
A thermal switch must be installed for proper blower operation. To do so, follow these steps.

WARNING: ENSURE THAT THE POWER IS OFF BEFORE STARTING INSTALLATION.

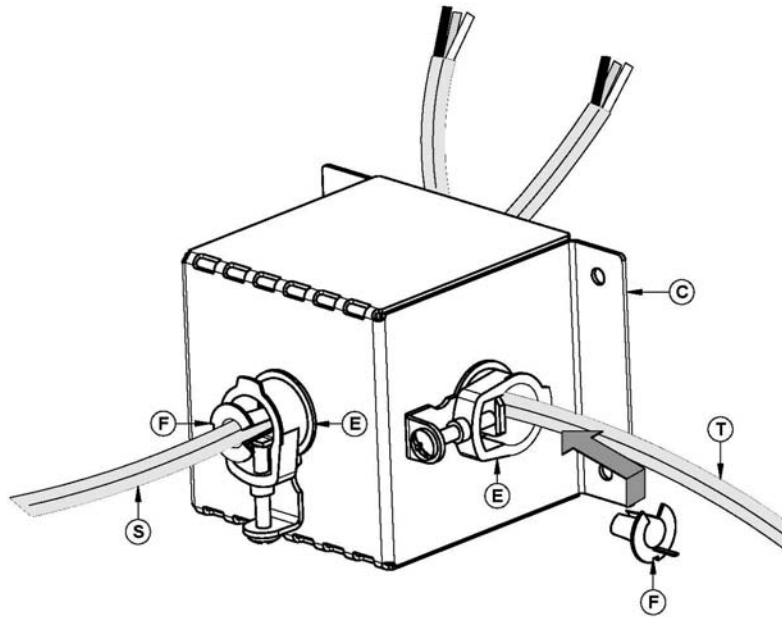
- 1- Remove the 4 screws (Q) of the junction box's localization cap (R). Save the screws.
- 2- From the rheostat, bring the cable (S) (14/2 AWG) from above and through the opening in the air distribution box.
- 3- From your electrical panel, bring a cable (T) (14/2 AWG) through the same opening as the **Step 2**.



Caution: make sure that the two cables (S) and (T) comply with all minimum clearances to combustibles specified in the manual or on the certification plate of the fireplace, then attach them to the wall structure to prevent them from coming into contact with a hot part of the fireplace or air distribution system.

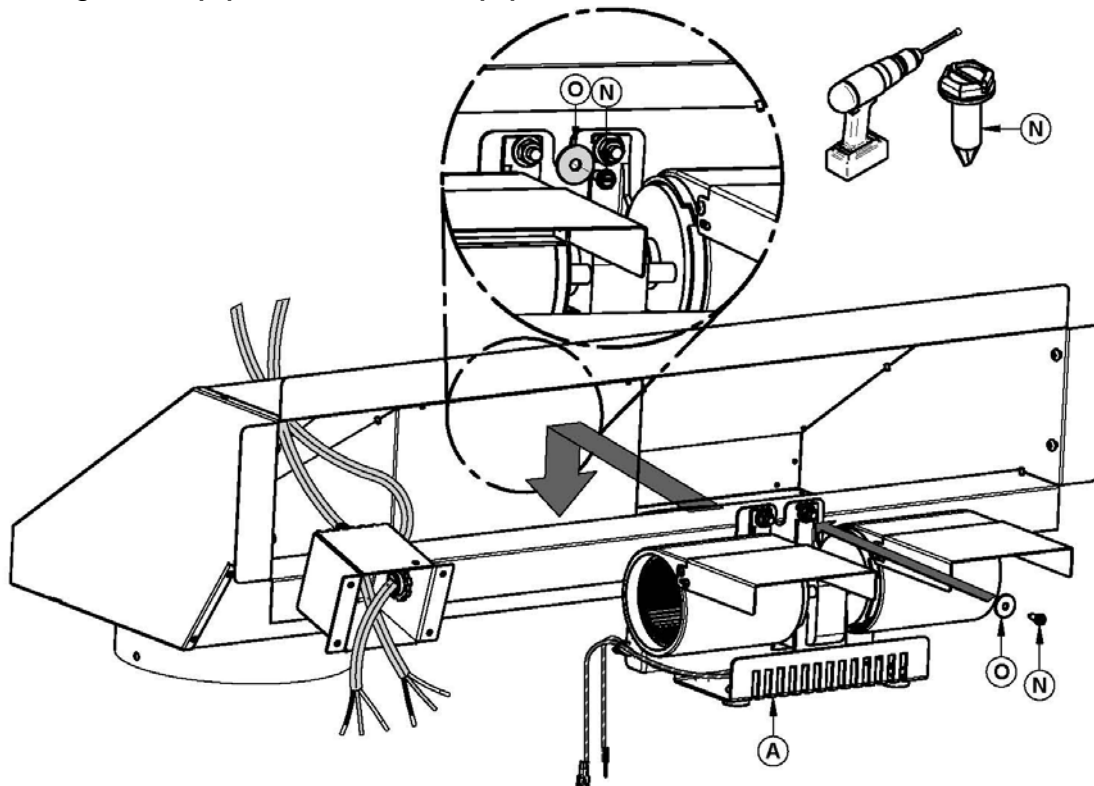


- 4- Pass the rheostat cable (**S**) and that of the power supply (**T**) through the respective connectors (**E**) and plastic sleeves (**F**) of the junction box (**C**).

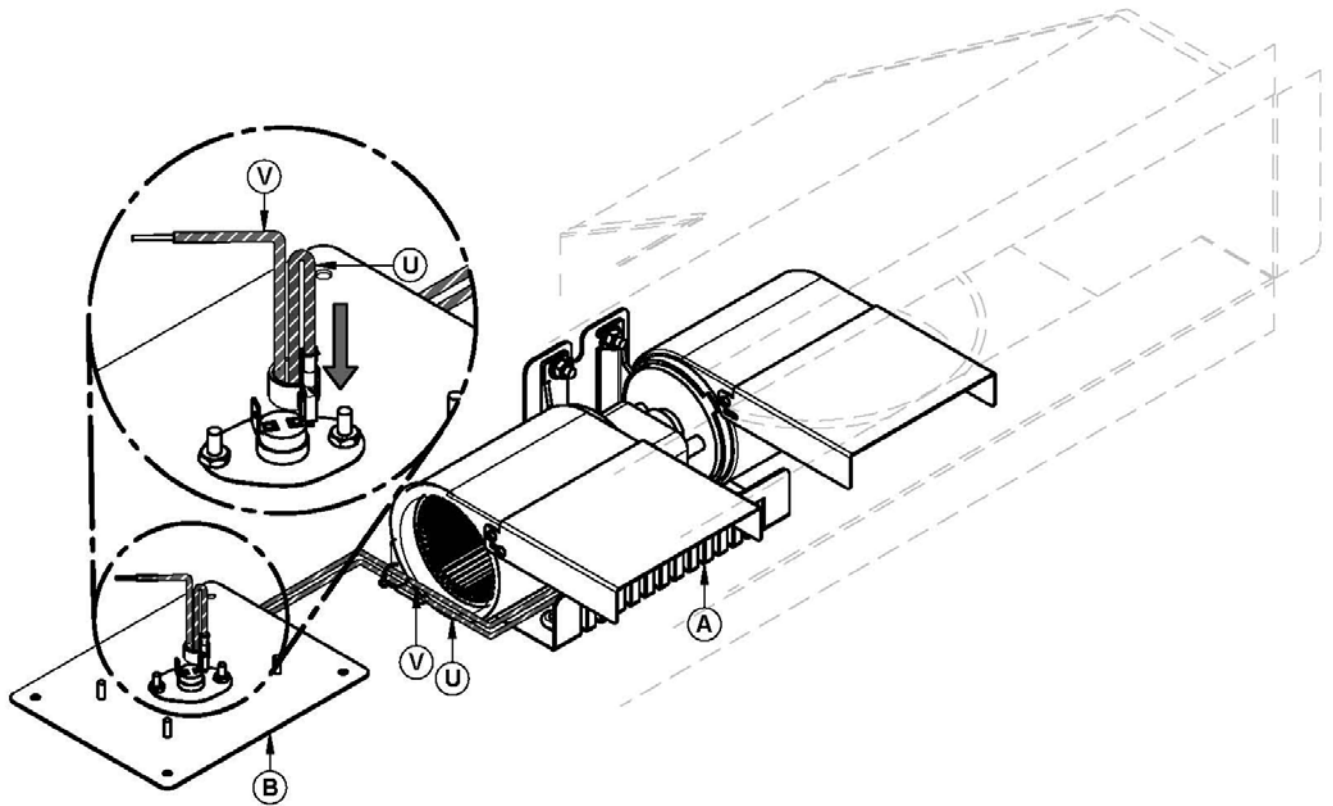


- 5- Skin the wires/cables (**S**) and (**T**).

- 6- Set blower (**A**) to the center of the air distribution box and secure it with the self-piercing screw (**N**) and the washer (**O**).



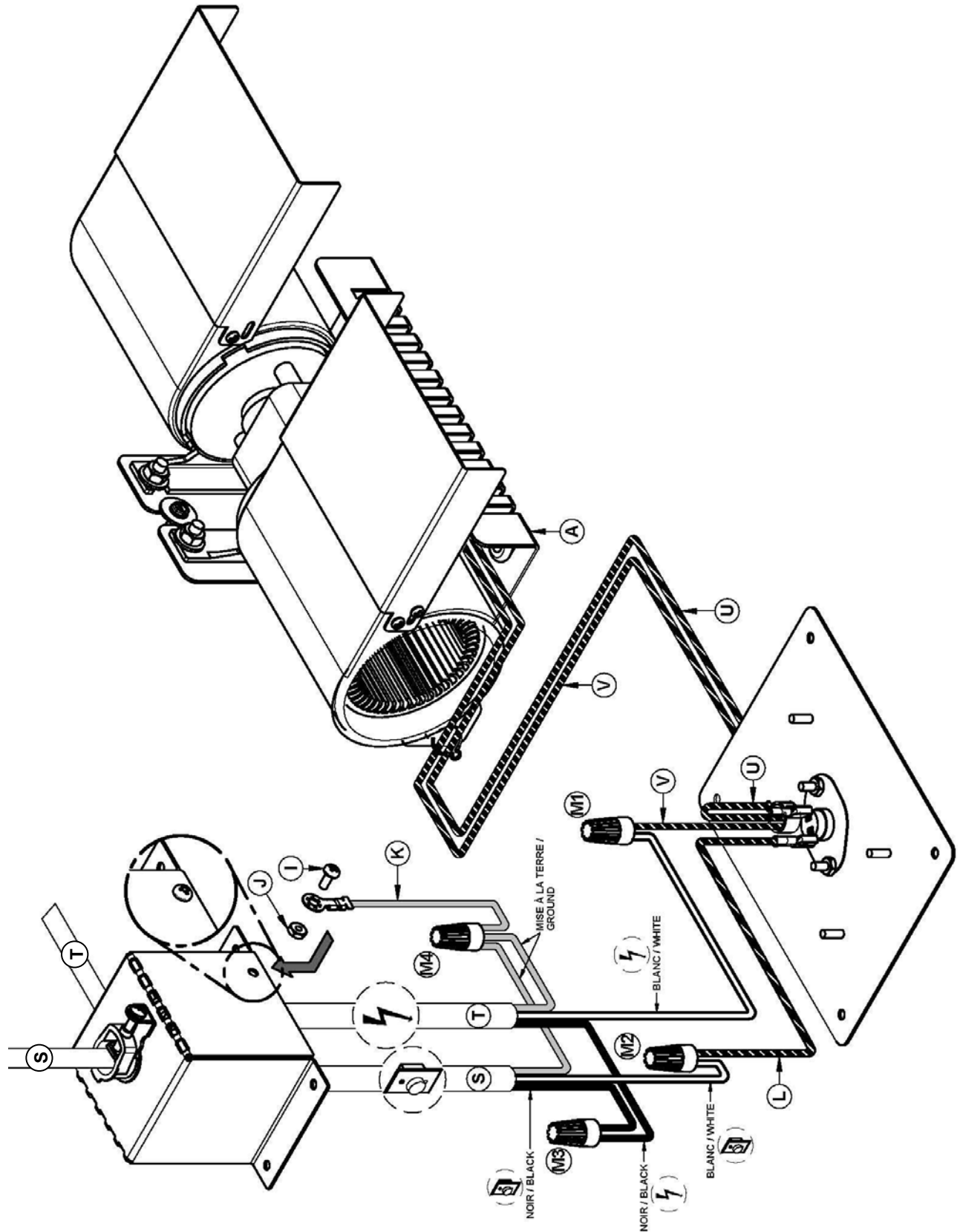
- 7- Route the wires **(U)** (with connector) and **(V)** (without connector) from the blower motor through the wire grommet of the thermal switch bracket **(B)**. Connect the wire with connector **(U)** on one of the two poles of the thermal switch.



For next steps, see the wiring diagram

- 8- With a wire connector (Marrette) **(M1)**, join the white wire of cable **(T)** to the wire **(V)** of the blower motor.
- 9- Connect the supplied wire **(L)** to the second pole of the thermal switch.
- 10- With a wire connector (Marrette) **(M2)**, join the other end of wire **(L)** to the white wire of cable **(S)**.
- 11- With a wire connector (Marrette) **(M3)**, join the black wire of cable **(S)** to the black wire of cable **(T)**.
- 12- Using a wire connector (Marrette) **(M4)**, join the ground wires of cables **(S)** and **(T)** to the wire **(K)** provided. Then attach the star shaped connector on the junction box **(C)** using the screws **(I)** and the nut **(J)**.

Wiring diagram



13-Set the junction box (C) on the thermal switch support (B) using 4 nuts (J). Then, secure the thermal switch support to the air distribution box with 4 screws (Q) from Step 1.

