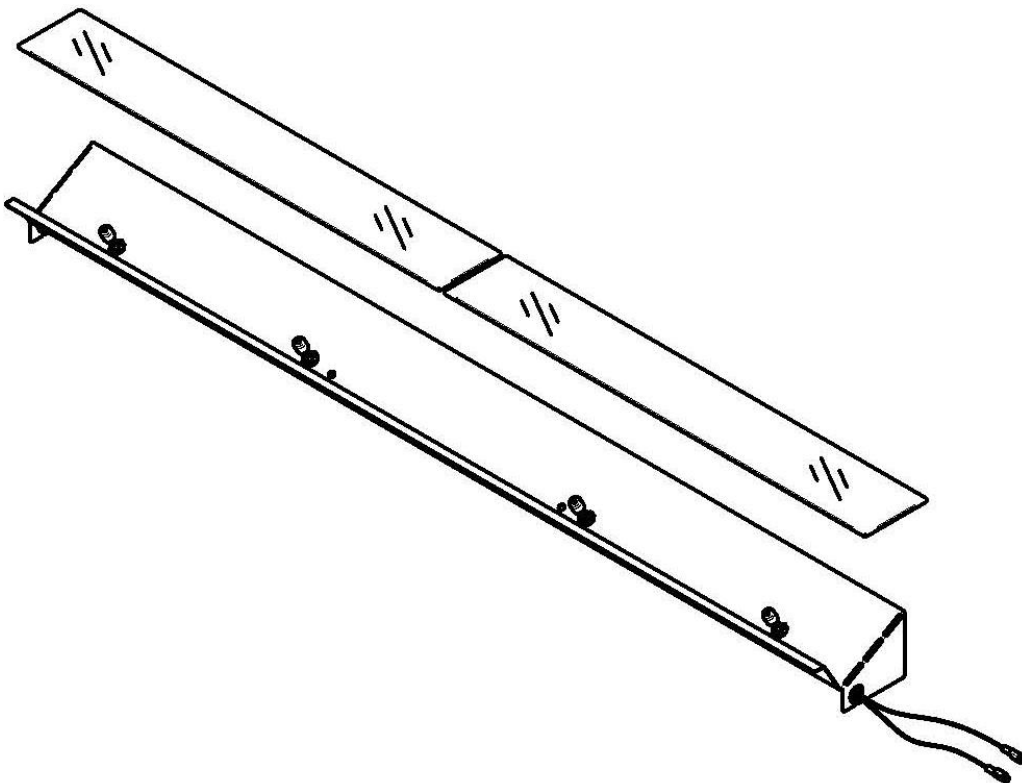


Valcourt

VARIABLE HALOGEN LIGHTING KIT

AC04336

INSTALLATION INSTRUCTIONS



ENGLISH

VARIABLE HALOGEN LIGHTING KIT INSTALLATION

Carton Contents:

- Light kit assembly
- Accent Glass (2x)
- G6.35 Bulbs
Bulb type (120V,
35W, G6.35)

Tools Needed:

- 5/16" Hex Driver
- Gloves

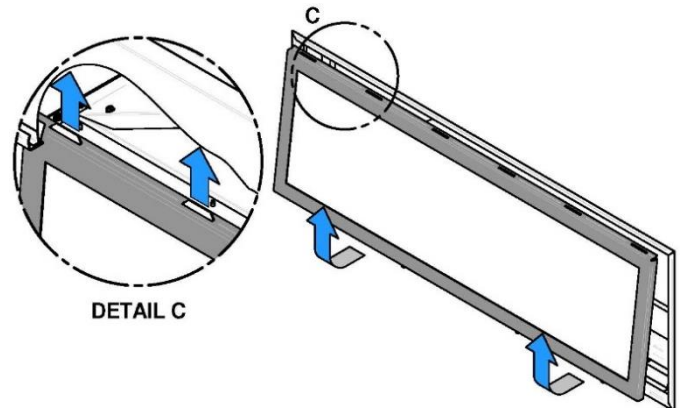
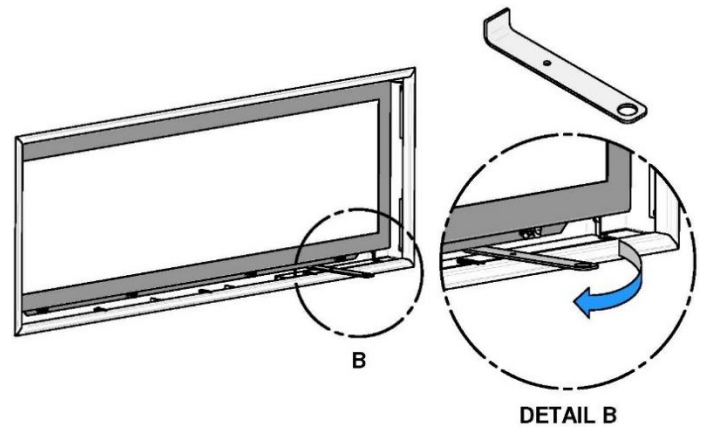
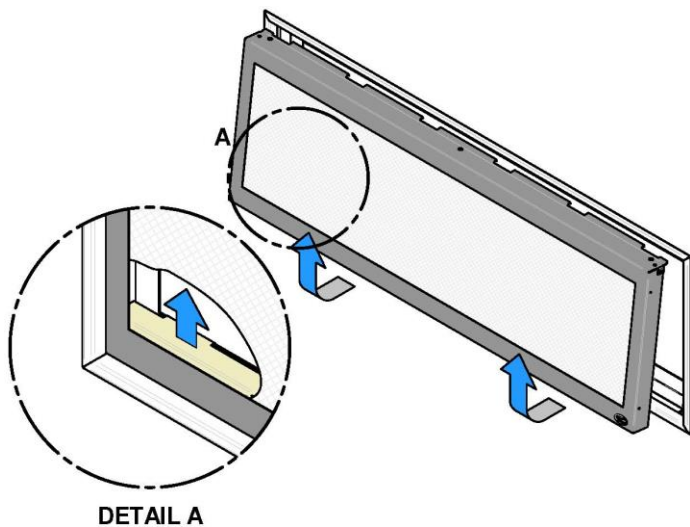
Installation

CAUTION



Disconnect 120V power source prior to installation of the variable halogen lighting kit

1. Using gloves, carefully unpack the content. Verify that all components are included and inspect for hidden damage prior to installation.
2. Remove the invisimesh barrier as per detail A.
3. Remove the glass door assembly as per details B and C prior to installation of the variable halogen lighting kit.



4. Remove the front access cover by simply lifting upward and set aside.



Figure 102

5. Remove the cover plate by simply lifting up and out of the fireplace. This part will not be reinstalled.



Figure 103

6. Remove the burner cover assembly. Grasp the cover as shown in [«Figure 104»](#) and pull upward to release, then set aside. *Note: the burner screen does not need to be removed to complete installation.*

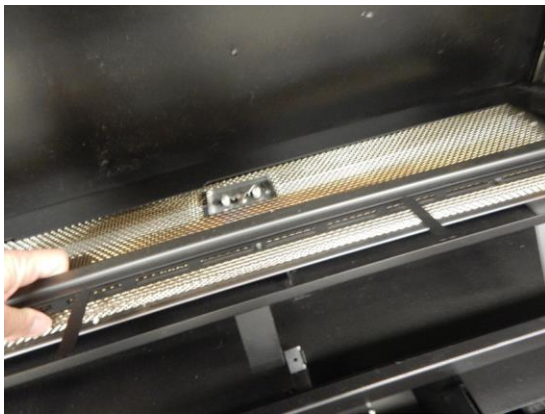


Figure 104

7. Before you install the light kit, remove the (2) # 10 x 1/2-inch screws that retain the front angle support bracket shown in [«Figure 105»](#). The front angle support will not be reinstalled. The two removed screws will be used in step 10.



Figure 105

8. To install the light kit assembly, first locate the two stubbed in tan wires near the gas line entry point to the right side of the firebox. Remove two terminal protectors shown in [«Figure 106»](#) inset. Discard protectors.

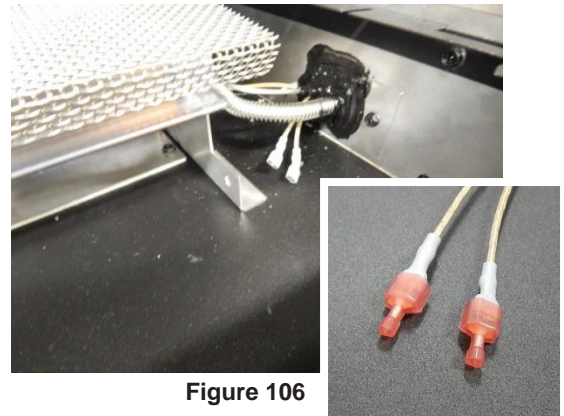


Figure 106

9. Install the light bracket assembly with the wire terminal connections to the right side. Plug up the two connectors as shown.

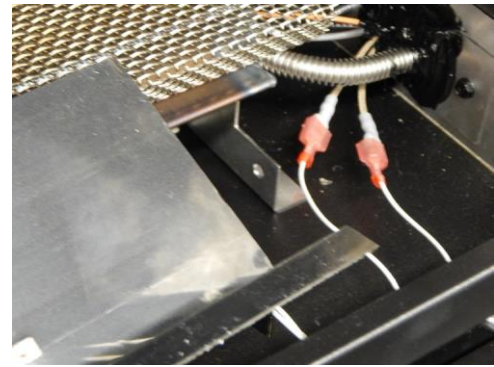


Figure 107

10. Move the light bracket assembly down between the front ledge of the firebox and the burner assembly. Line up the two mounting holes in the light bracket with the pilot holes located in the two small brackets at the front of the firebox, then install two 5/16-inch x 1/2-inch hex screws to secure.



Figure 108

Caution: make sure wiring is not pinched under mounting brackets.

11. Install the four halogen bulbs into the light bracket sockets. It is recommended that the bulbs be installed using extra care so you do not touch the bulbs with oils from fingers.



Figure 109

12. Re-install the burner cover assembly. Place the burner cover over the burner screen and burner. Place the ends of the burner cover into the mating slots located in the firebox side supports. Be sure to position the burner screen so the pilot cut-out is centered on the pilot area. The burner cover must hold the burner screen flat against the top of the burner.
13. Install the two accent glass panels onto the framework over the lights. Replace the Front Access Cover. See [«Figure 102»](#).

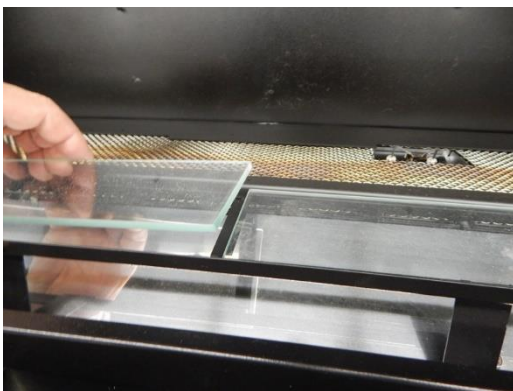


Figure 110

14. The following figure shows the burner cover, accent glass panels, and front access cover installed.

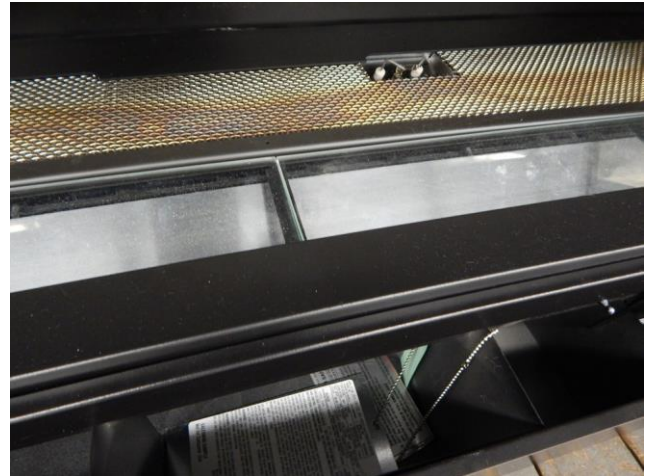


Figure 111

15. To complete, refer to the section 7. [«Glass Placement»](#), page 48 in the [installation instruction manual](#) for the proper amount and placement of crushed glass media on the burner screen area.

Note: Do not apply more than one layer of crushed glass over the burner porting areas.

16. Reinstall glass door assembly and invisimesh barrier.
17. To operate the lights, refer to section [«4.3.10 Remote light control»](#) in the user manual page 21. The remote does not have to be reprogrammed to operate the light kit.
18. Installation is complete.

This document is available for free download on the manufacturer's website. It is a copyrighted document. Resale is strictly prohibited. The manufacturer may update this document from time to time and cannot be responsible for problems, injuries, or damages arising out of the use of information contained in any document obtained from unauthorized sources.

The logo for Valcourt, featuring the word "Valcourt" in a stylized, cursive script font. A vertical line is positioned to the left of the logo.

Stove Builder International inc.
250, De Copenhague street,
St-Augustin-de-Desmaures (Québec), Canada
G3A 2H3
418-908-8002